

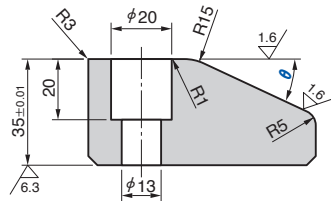
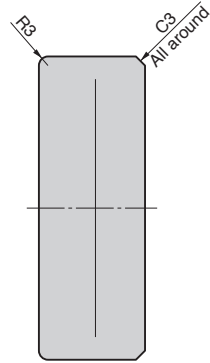
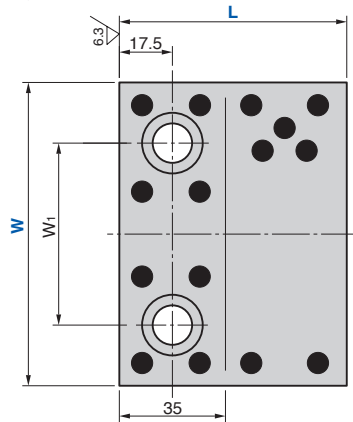
# Cam Dwell Plate

25° 30° Compact Type

## Cam Slide Components

CSPWL (Bronze with Graphite Type)

CAD FILE



(Material) SO#50SP2

● Sliding Direction



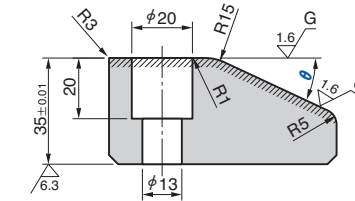
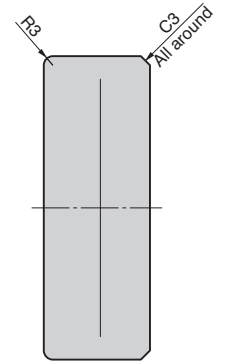
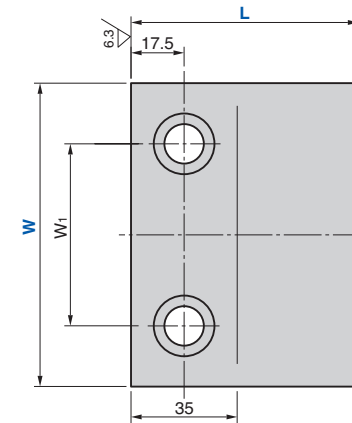
Catalog No.	W	L	$\theta$	W1
CSPWL	100	75	25	60
			30	
	150	75	25	110
			30	



Catalog No. W - L -  $\theta$   
CSPWL 100 - 75 - 25

CSPSL (Steel Type)

CAD FILE



(Material) SK85  
(Hardness) HRC55~  
Hatched area to be Induction Hardened

Catalog No.	W	L	$\theta$	W1
CSPSL	100	75	25	60
			30	
	150	75	25	110
			30	



Catalog No. W - L -  $\theta$   
CSPSL 100 - 75 - 25