

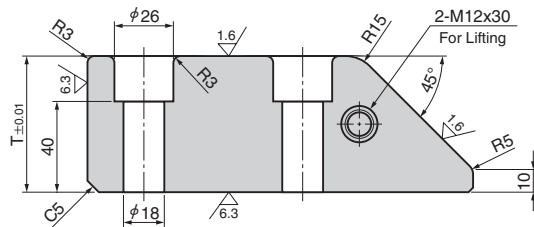
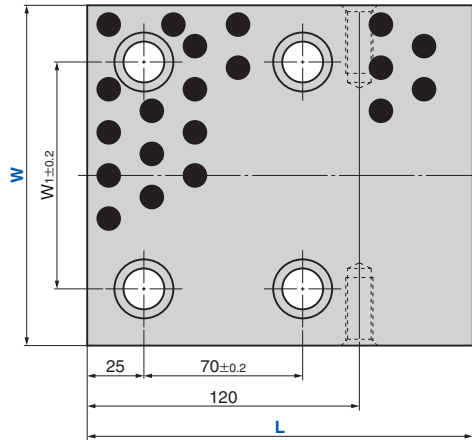
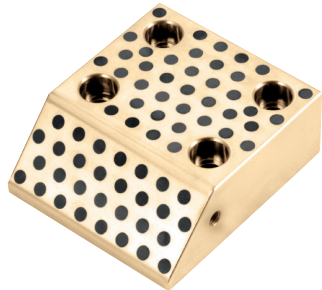
Cam Dwell Plate

45° Type

Cam Slide Components

CSPQ (Bronze with Graphite Type)

CAD FILE



● Sliding Direction



(Material) SO#50SP2

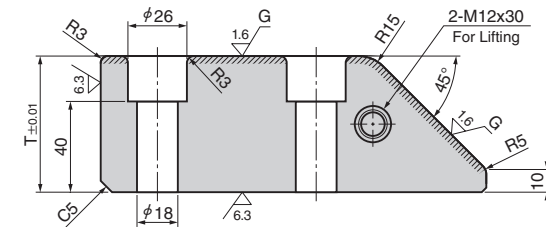
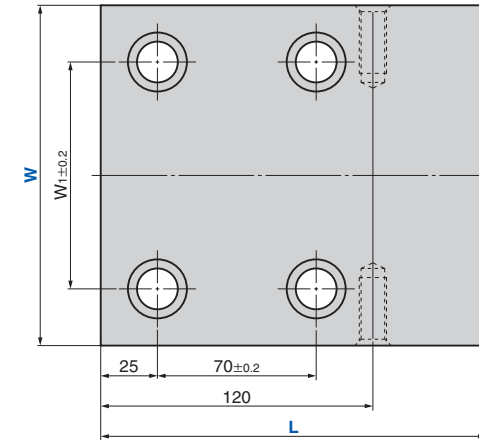
Catalog No.	W	L	T	W ₁
CSPQ	150	170	60	100
		200	90	
	200	170	60	140
		200	90	



Catalog No. W - L
CSPQ 150 - 170

CSPQS (Steel Type)

CAD FILE



(Material) 1045 (S45C)
(Hardness) HRC50~
Hatched area to be Induction Hardened

Catalog No.	W	L	T	W ₁
CSPQS	150	170	60	100
		200	90	
	200	170	60	140
		200	90	



Catalog No. W - L
CSPQS 150 - 170