

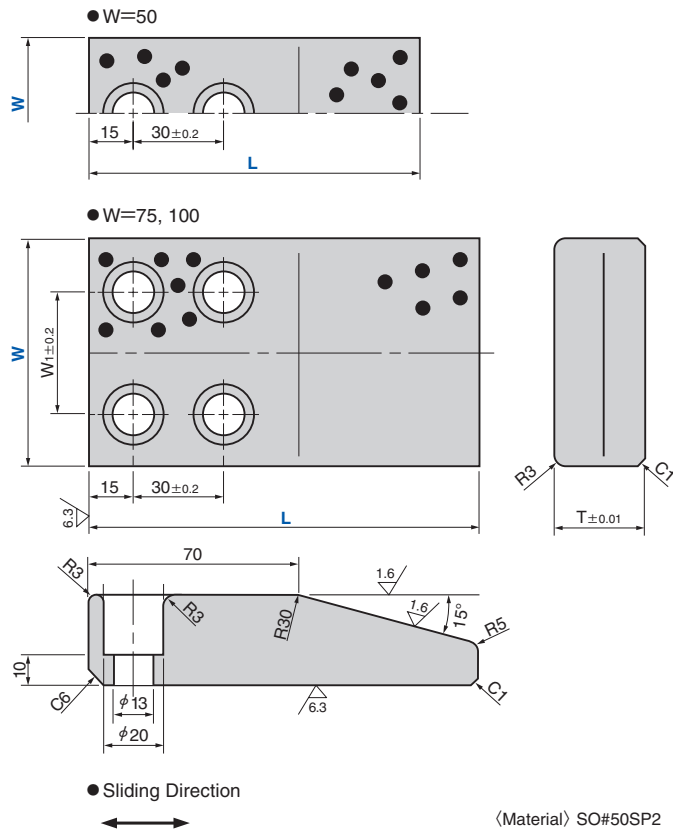
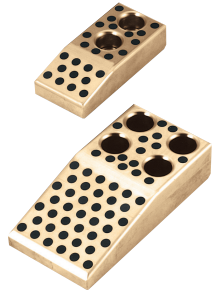
# Cam Dwell Plate

15° Type

## Cam Slide Components

CSPWS (Bronze with Graphite Type)

CAD FILE

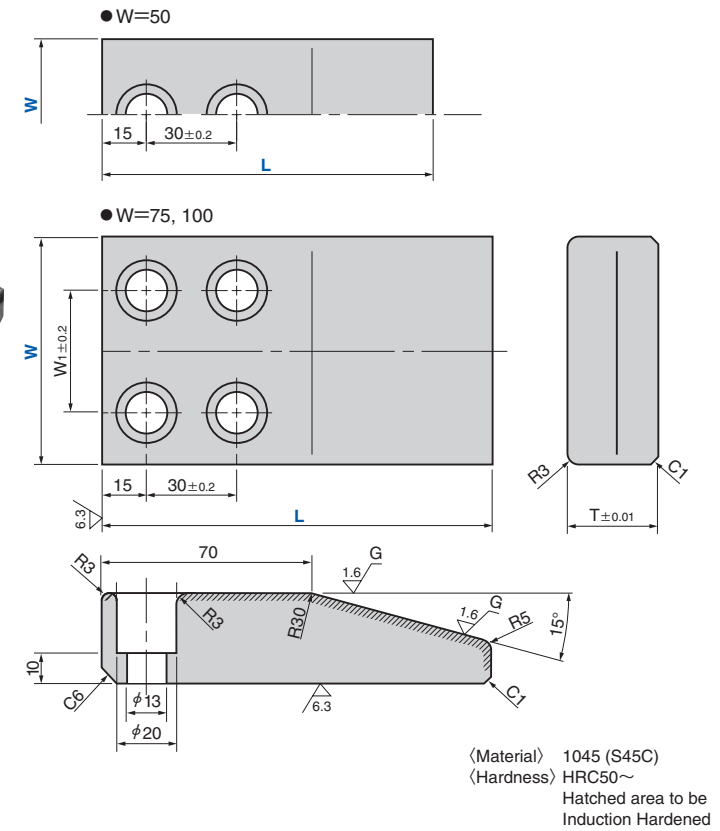


Catalog No.	W	L	T	W <sub>1</sub>
CSPWS	50	110	25	—
	75	110	25	40
		130	30	—
	100	110	25	60
130		30	—	

Order   -   
CSPWS 75 - 130

CSPSS (Steel Type)

CAD FILE



Catalog No.	W	L	T	W <sub>1</sub>
CSPSS	50	110	25	—
	75	110	25	40
		130	30	—
	100	110	25	60
130		30	—	

Order   -   
CSPSS 75 - 130