

Cam Gib Plate

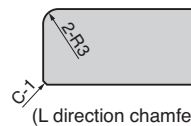
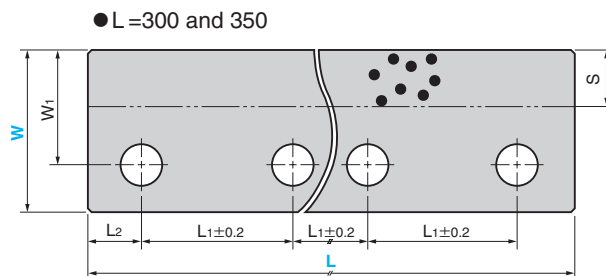
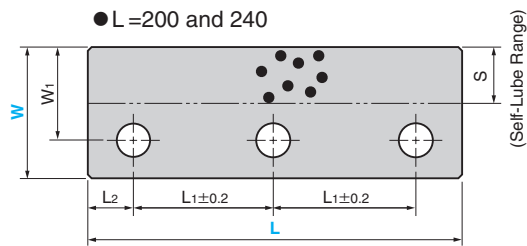
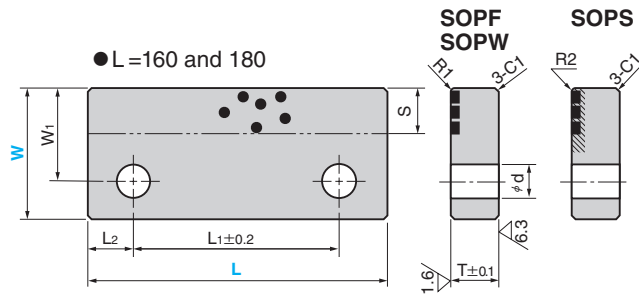
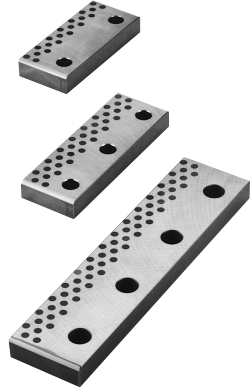
CAM SLIDER RETAINING



SOPF
(FC with Graphite Type)

SOPS
(Steel Hardened with Graphite Type)

SOPW
(Bronze with Graphite Type)

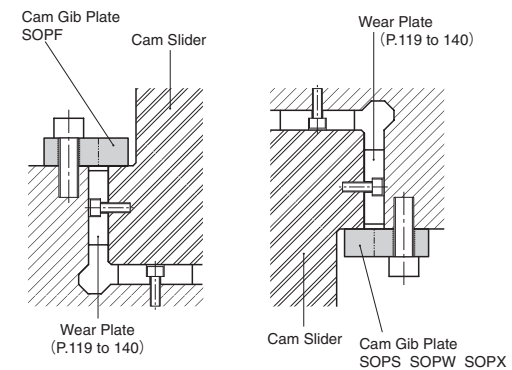


● Sliding Direction
↔

Material :
SOPF FC250 with Graphite
SOPS S45C with Graphite
Hardness: HRC40 or more
Area to be Induction Hardened (Hatched Area)
SOPW Bronze with Graphite (SO#50 SP2)

T	W ₁	L ₁	L ₂	d	S	Catalog No.	W	L
25	37.5	120	30	18	24	SOPF	55	180
		110	25		25		70	160
	50	75	30	30	70		200	
28	60	75	25	22	30	SOPS	85	200
		90	30				240	
		80	30				240	
		90	40				350	
25	50	110	25	18	25	SOPW	70	160
		90	30		25		70	200
	50	75	30	30	70		240	
28	60	75	25	22	30	SOPS	85	200
		90	30				240	
		80	30				300	
		90	40				350	
25	50	110	25	18	25	SOPW	70	160
		90	30		25		70	200
	50	75	30	30	70		240	
28	60	75	25	22	30	SOPS	85	200
		90	30				240	
		80	30				300	
		90	40				350	

EX Example



Order Catalog No. W - L
SOPF 70 - 160

■ We are ready to accept requests or orders for special parts.