

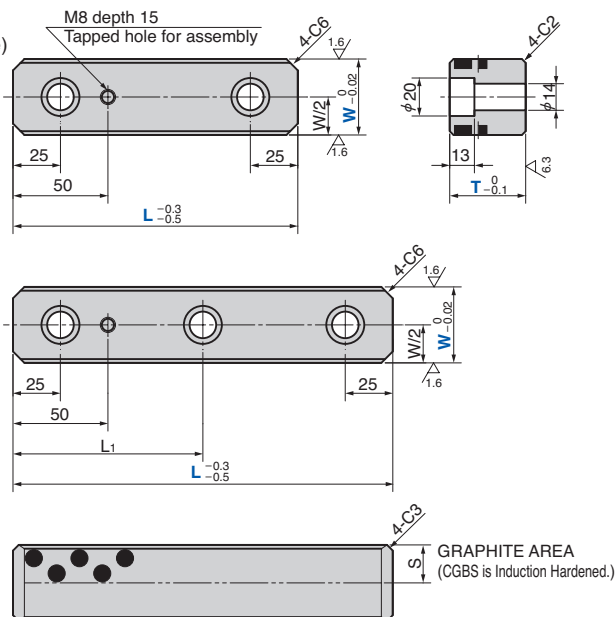
# Cam Slide Guides

## Center Key Type

### Cam Slide Components

**CGBF** (FC with Graphite Type)

**CGBS** (Steel with Graphite Type)



CGBF (Material) SO#50F

CGBS (Material) 1055 (S55C)

(Hardness) HRC40~

S area to be Induction Hardened

Catalog No.	W	L	T	L <sub>1</sub>	S
CGBF CGBS	30	100	30	—	15
		150		—	
		200		100	
		250		125	
		100		—	
CGBF CGBS	40	150	30	—	20
		200		100	
		250		125	
		100		—	
		150		—	
CGBF CGBS	40	200	40	100	20
		250		125	
		300		150	
		—		—	



Catalog No. W L T  
CGBF 30 - 150 - 30