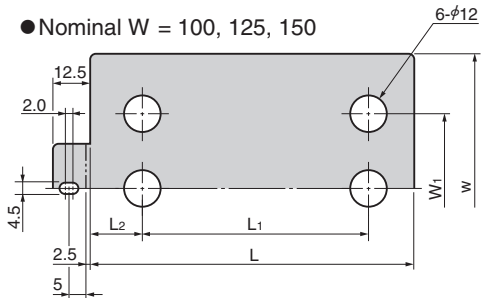
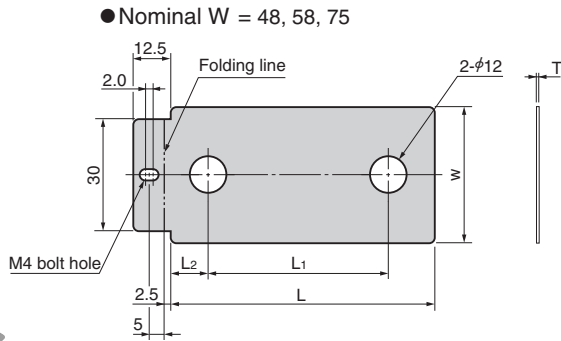
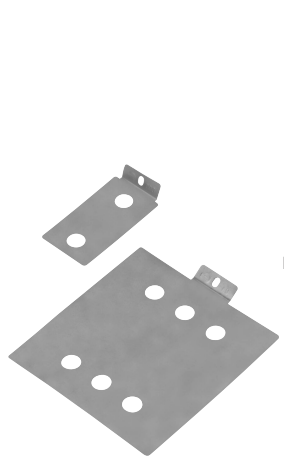


# Shim Plate

FOR WEAR PLATE

SHMS



■ T Tolerance

| T              | Tolerance |
|----------------|-----------|
| 0.03 0.05      | ±0.01     |
| 0.1 0.2<br>0.3 | ±0.02     |

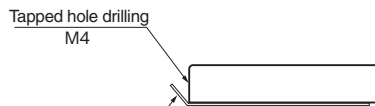
Material : SUS304

## NOTES:

- SHMS can work for the Wear Plates with thickness 10 or 20 having 2 or 4 holes.
- Ensure to drill M4 tapped holes at a folding area on the Wear Plate so the shim will not be lost.



Example



Folding area  
Bend the shim along the folding line and secure it with bolts.

| W1  | L1  | L2   | w   | L   | Catalog No. | Nominal (wear plate) |     | Thickness<br>T |
|-----|-----|------|-----|-----|-------------|----------------------|-----|----------------|
|     |     |      |     |     |             | W                    | L   |                |
|     | 45  | 12.5 |     | 70  |             |                      | 75  |                |
|     | 50  |      |     | 95  |             |                      | 100 |                |
|     | 75  | 22.5 | 38  | 120 |             | 48                   | 125 |                |
|     | 100 |      |     | 145 |             |                      | 150 |                |
|     | 150 |      |     | 195 |             |                      | 200 |                |
|     | 45  | 12.5 |     | 70  |             |                      | 75  |                |
|     | 50  |      | 48  | 95  |             | 58                   | 100 |                |
|     | 100 |      |     | 145 |             |                      | 150 |                |
|     | 25  |      |     | 70  |             |                      | 75  | 0.03           |
|     | 50  |      |     | 95  |             |                      | 100 |                |
|     | 75  |      | 65  | 120 |             | 75                   | 125 | 0.05           |
|     | 100 |      |     | 145 |             |                      | 150 |                |
|     | 150 |      |     | 195 | SHMS        |                      | 200 | 0.1            |
|     | 50  |      |     | 95  |             |                      | 100 |                |
|     | 75  |      |     | 120 |             |                      | 125 | 0.2            |
|     | 100 | 22.5 | 90  | 145 |             | 100                  | 150 |                |
|     | 150 |      |     | 195 |             |                      | 200 | 0.3            |
| 50  | 200 |      |     | 245 |             |                      | 250 |                |
|     | 75  |      |     | 120 |             |                      | 125 |                |
|     | 100 |      |     | 145 |             | 125                  | 150 |                |
|     | 150 |      | 115 | 195 |             |                      | 200 |                |
|     | 200 |      |     | 245 |             |                      | 250 |                |
| 100 | 100 |      |     | 145 |             |                      | 150 |                |
|     | 150 |      | 140 | 195 |             | 150                  | 200 |                |
|     | 200 |      |     | 245 |             |                      | 250 |                |



Order

Catalog No. SHMS  
W 48 - L 125 - T 0.1



Attention:  
0.03, 0.05, and 0.1 are sold in a set of 10 pcs.