

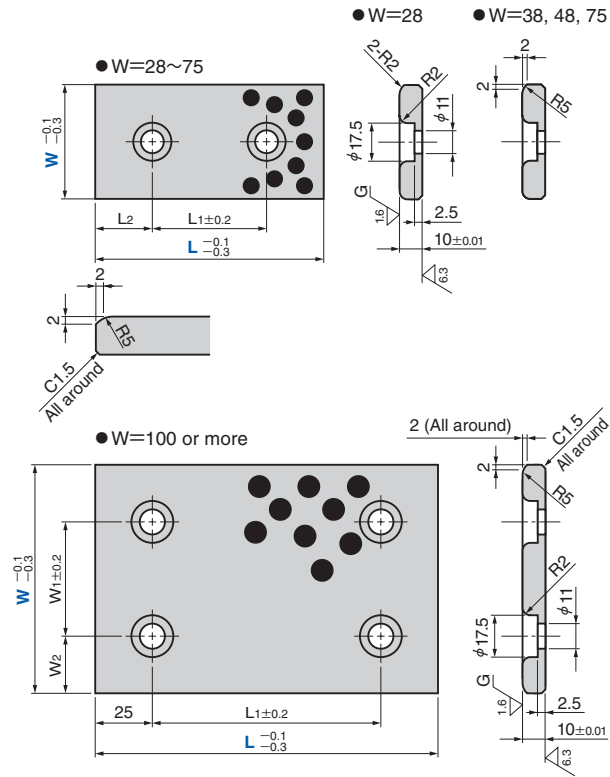
Slide Plate

Thickness 10 mm Steel Type

Slide Components

TSP

CAD
FILE



● Sliding Direction



〈Material〉 SO#50SK3
 〈Hardness〉 HRC50~
 〈Accessory〉 Bolts

Catalog No.	W	L	W ₁	W ₂	L ₁	L ₂
TSP	28	75			45	15
		100			50	
		125			75	25
	38	150			100	
		75			45	15
		100			50	
	48	125			75	25
		150			100	
		75			45	15
	75	100			50	
		125			75	
		150			100	
100	100			50		
	125		50	25	75	
	150		50	25	100	
125	125			75		
	150		37.5	100		



Catalog No. W - L
 TSP 75 - 150

Order

● Special brazier head bolt LCS10-20

