

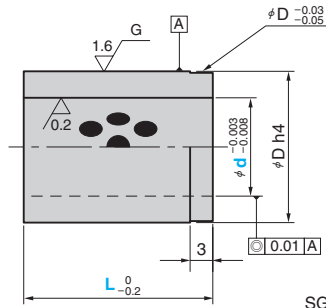
# Stripper Guide Bushing

FOR STRIPPER PLATE

CAD  
FILE

## ■ Straight Type

SGSW (Bronze Type)

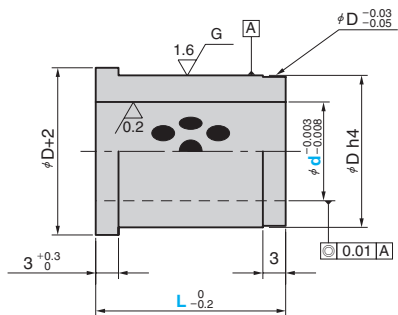


SGSW Material  
Bronze with Graphite  
(SO#50 SP2)

● Sliding Direction

## ■ Flange Type

SGFW (Bronze Type)



SGFW Material  
Bronze with Graphite  
(SO#50 SP2)

● Sliding Direction

Catalog No.	d	D	h4
SGSW	16	24	$0_{-0.006}$
SGFW	20	28	$0_{-0.007}$
	25	34	

Catalog No.	d	L
		20
	16	25
		30
		35
		20
SGSW	20	25
		30
		35
		20
		25
	25	30
		35
		40

Catalog No.	d	L
		20
	16	25
		30
		35
		20
SGFW	20	25
		30
		35
		20
		25
	25	30
		35
		40



Order

Catalog No.	d	L
SGSW	16	30
SGFW	16	25