

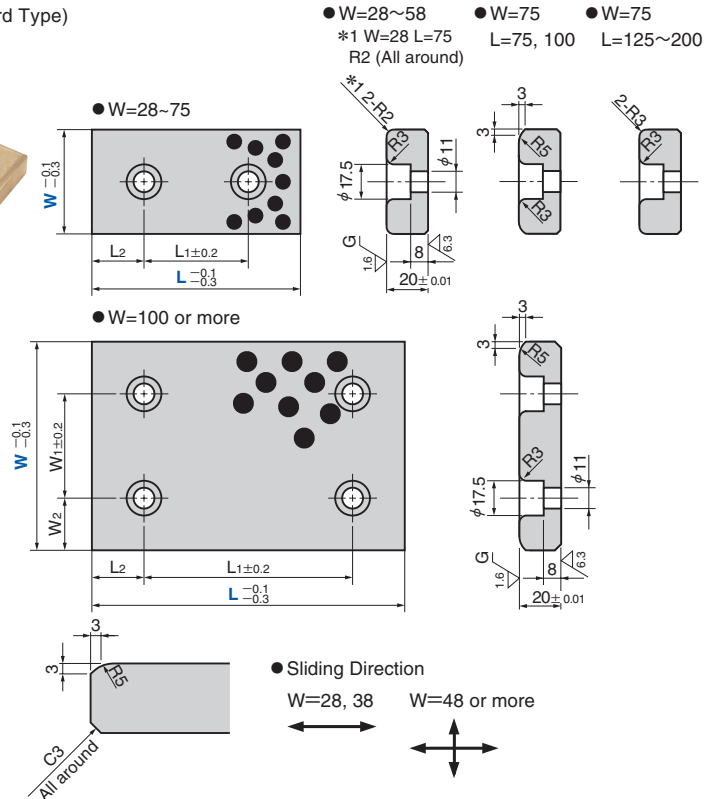
Wear Plate

Thickness 20 mm Bronze Type

Slide Components

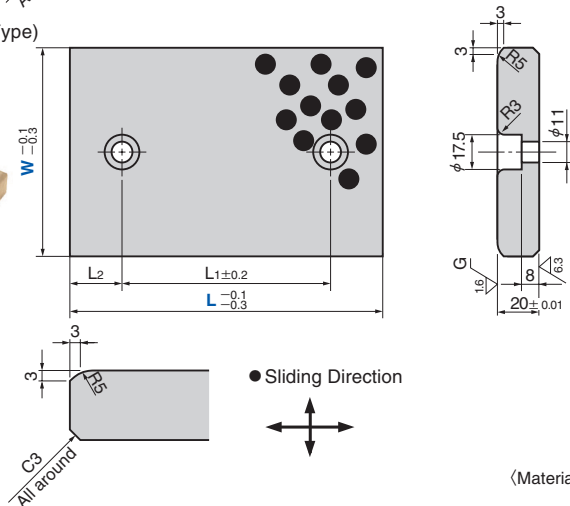
SESW (Bronze Standard Type)

CAD FILE



SESWT (Bronze 2-Hole Type)

CAD FILE



〈Material〉 SO#50SP2

Catalog No.	W	L		W ₁	W ₂	L ₁	L ₂	
		SESW	SESWT					
SESW	28	75				45	15	
		100				50	25	
		150				100		
	38	75					45	15
		100					50	25
		150					100	
	48	75					45	15
		100					50	
		125					75	25
	58	75					45	15
		100					50	
		150					100	
75	75					75		
	125					100	25	
	150					150		
100	100	100				50		
	125	125				75		
	150	150		25		100		
SESW SESWT	125	200	200			150		
		250	250			200	50	
		300	300	50		75		
150	125	150				100	25	
	200	200			37.5	150		
	250	250				200	50	
	150	350	350				75	
		150	150			100		
		200	200	100	25	150	25	
		250	250			200		



Catalog No.	W	-	L
SESW	38	-	100
SESWT	100	-	150