

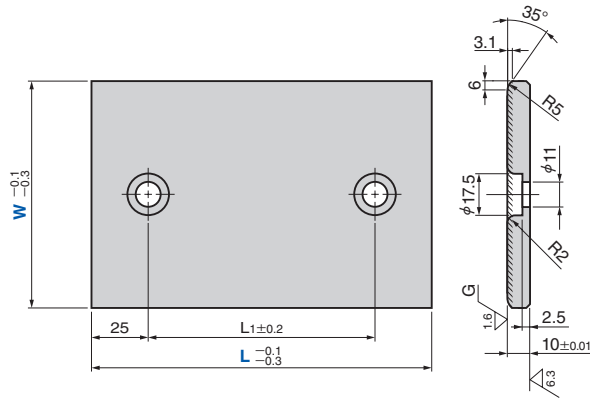
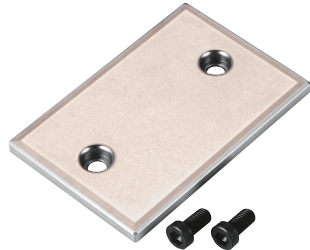
Wear Plate

Thickness 10 mm Sintered Type

Slide Components

TWXT (2-Hole Type)

CAD FILE



● Sliding Direction



⟨Material⟩ SO#220
Thickness 1.2 mm or more
1045 (S45C) (base plate)
⟨Accessory⟩ Bolts

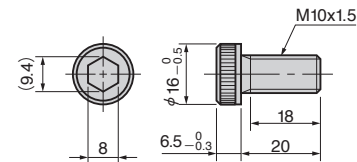
Catalog No.	W	L	L ₁
		100	50
		125	75
	100	150	100
		200	150
		250	200
TWXT		125	75
	125	150	100
		200	150
		250	200
	150	150	100
		200	150
		250	200



Order

Catalog No. TWXT W 125 L 125

● Special brazier head bolt LCS10-20



● Chamfer specification

