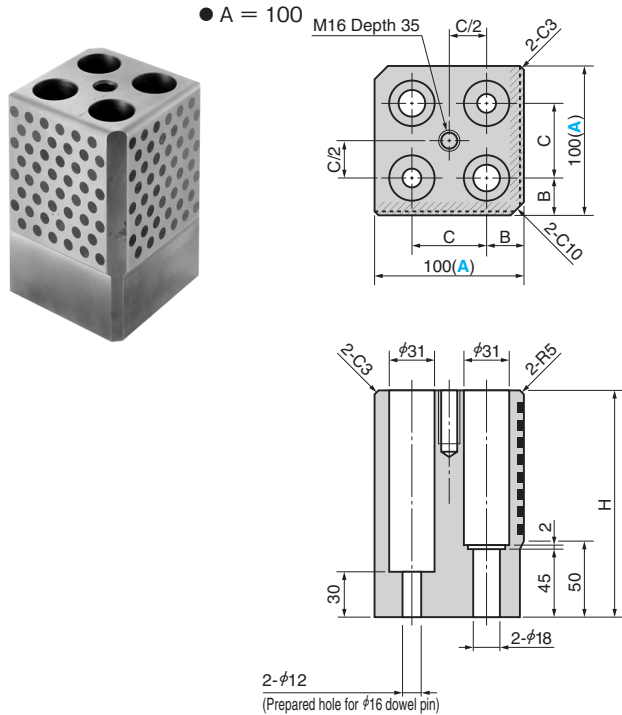


# Pad Guide Block

CORNER GUIDE TYPE

CAD  
FILE

PGBB (Dowel Pin Prepared Hole Type)



Material : FC250  
with Graphite  
(Hatched Area)

B	C	H	Catalog No.	A
25	50	150	PGBB	100



Order

Catalog No.

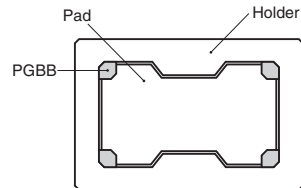
PGBB

A

100



Example



This page  
intentionally  
left blank