

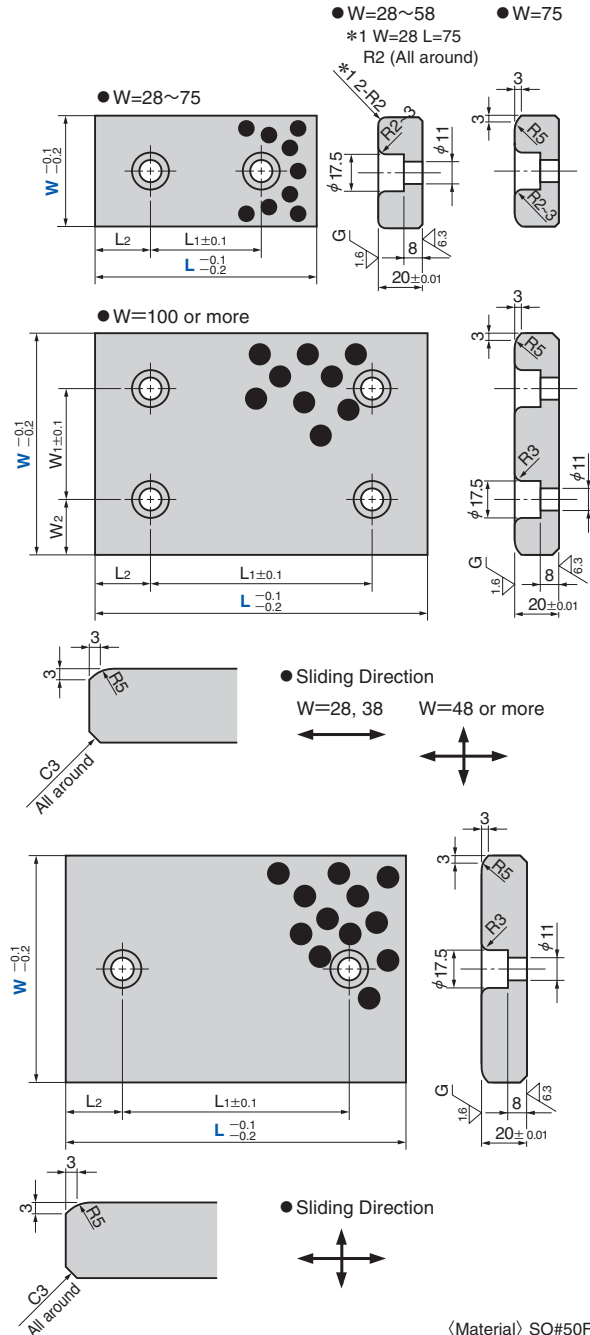
Wear Plate

Thickness 20 mm FC Type

Slide Components

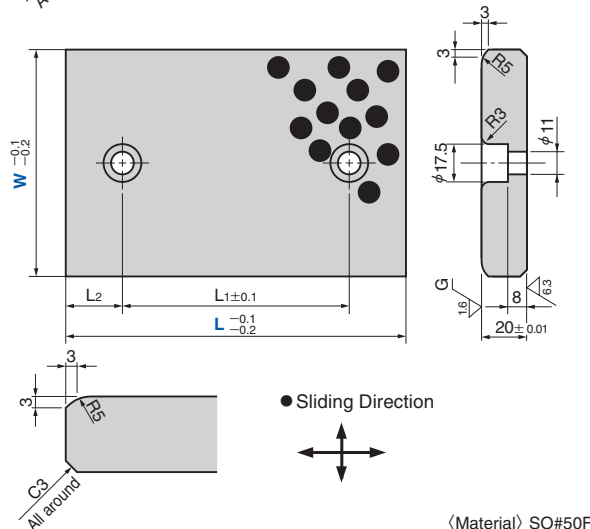
SESF (FC Standard Type)

CAD FILE



SESFT (FC 2-Hole Type)

CAD FILE



(Material) SO#50F

Catalog No.	W	L		W ₁	W ₂	L ₁	L ₂
		SESF	SESFT				
28	28	75				45	15
		100				50	
		125				75	25
		150				100	
		200				150	
38	38	75				45	15
		100				50	
		125				75	25
		150				100	
		200				150	
SESF	48	75				45	15
		100	-	-	-	50	
		125				75	25
		150				100	
		200				150	
58	58	75				45	15
		100				50	
		125				75	25
		150				100	
		200				150	
75	75	75				25	
		100				50	25
		125				75	
		150				100	
		200				150	
100	100	250				200	
		100	100			50	
		125	125			75	
		150	150	50	25	100	25
		200	200			150	
SESF SESFT	125	250	250			200	50
		300	-				
		125	125			75	
		150	150			100	
		200	200	50	37.5	150	25
150	150	250	250			200	50
		300	-				
		150	150			100	
		200	200	100	25	150	25
		250	250			200	
150	150	300	300			250	
		300	300	100	25	200	25



Catalog No.	W	-	L
SESF	48	-	75
SESFT	125	-	125