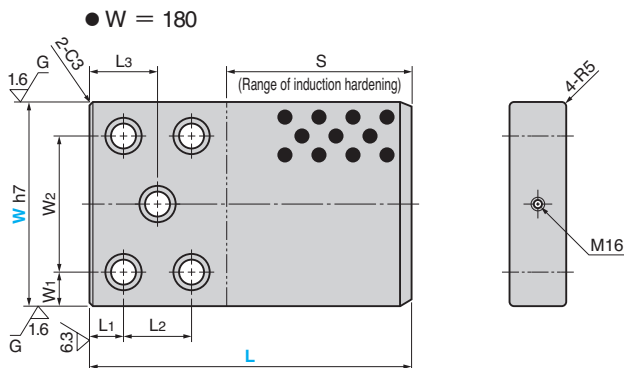
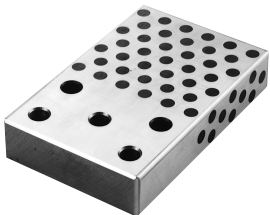
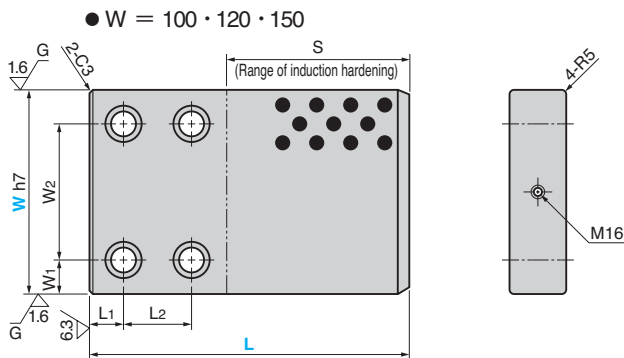
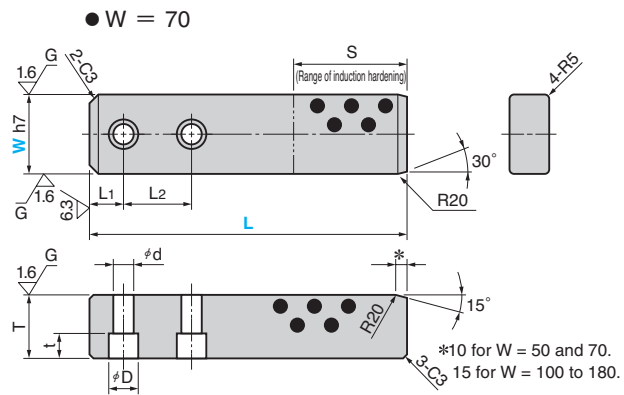


Guide Bar

COUNTERBORE TYPE

CAD FILE

NGBZ



● Sliding Direction



Material : S45C
with Graphite
Hardness : HRC 40 or more

W	h7	L1	L2	L3	W1	W2	D	d	t	S	T	Catalog No.	W	L
70	0 -0.030	25	60							100	35		70	230
			75					160	260					
			150					150	300					
100			60							150			100	280
			100		20			160	330					
			120					200	390					
120	0 -0.035		60			60				100	45	NGBZ	120	230
			100					160	280					
			120					160	330					
150			60							200			150	280
			120					160	330					
			80		30			190	390					
180	0 -0.040		60	60						160	50		180	280
			80	70		120		190	330					
			140	100				190	390					



Order

Catalog No. **NGBZ** W **70** - L **230**