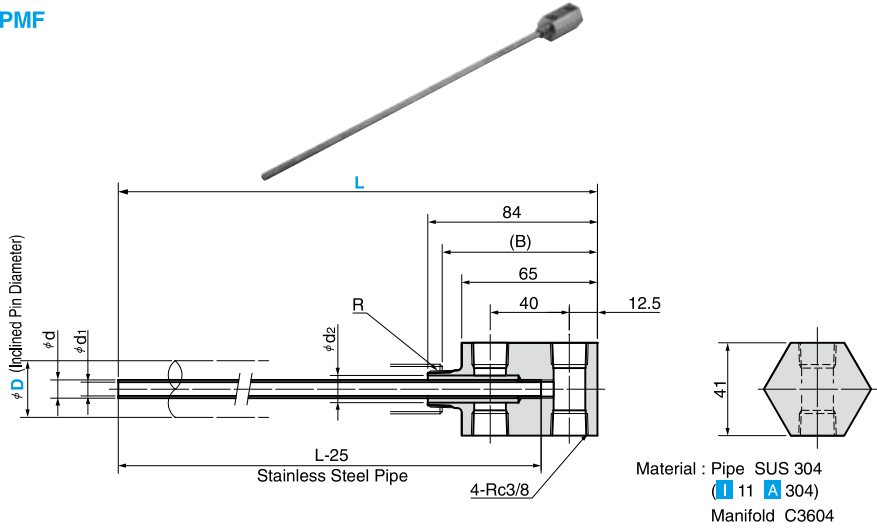


Manifold Set

FOR KOCUMR & KOCUFR



KPMF



d	d ₁	d ₂	(B)	R	Catalog No.	D	L Increments of 1mm
8	5	12	72	3/8	KPMF	25	300 ≤ L ≤ 1200
12	9	15	75	1/2		30	



Order

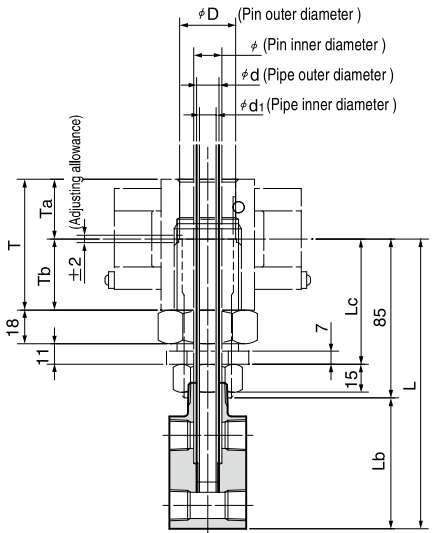
-
KPMF **25** - **920**

For Operation

Refer to the figure in the right and the table below for dimensions of parts when the manifold is used.

D	L	L _b	L _c	T	T _a	T _b
25	157	72	63	60	26	34
30	160	75	67	67	29	38

D	Pin Inner Diameter	d	d ₁
25	11	8	5
30	15	12	9



Loose Core Related Parts