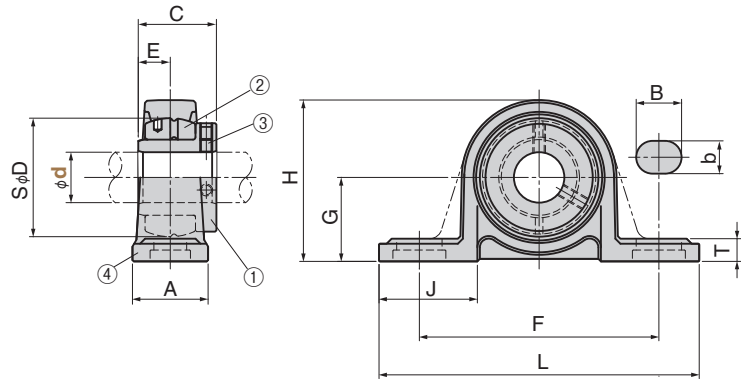


Spherical Bushing Set

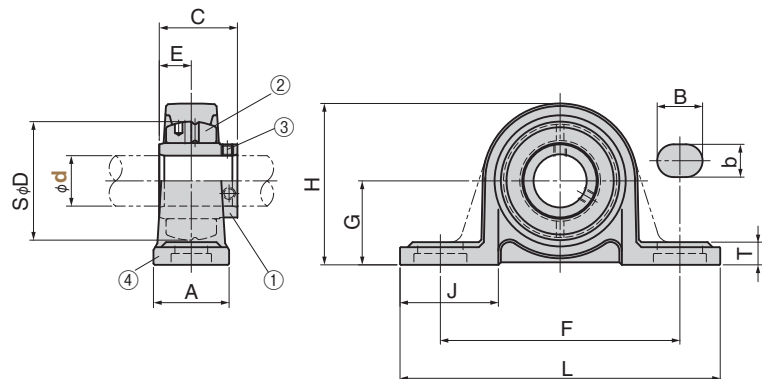
Pillow Type



Inner Ring Flange Bushing
PUFBF (Gray Cast Iron Case)
PUFBS (Stainless steel case)



Inner Ring Straight Bushing
PUSBF (Gray Cast Iron Case)
PUSBS (Stainless steel case)



- Grease nipples are provided.
- Stopper pin for outer ring (SUJ2, 1pce) is attached.

Table of Components

No.	Description	Qty	Material and remark
①	Inner Ring	1	S45CNon-electrolytic nickel plating
②	Outer ring	1	Copper alloy with graphite (SO#50SP2)
③	Hexagon socket head set screw	4	SCM435(Straight bush is 2)
④	Case	1	Gray cast iron(FC200) Stainless(SCS13)

A	C	E	D	L	F	H	G	J	T	B	b	Mounting Bolt	Case No.	Catalog No.	d
38 (30)	31.0	12.7	47	127	95	64 (63)	33.3	38 (42)	13 (11)	18	13	M10	204		20
38 (30)	34.0	14.3	52	140	105	71 (69)	36.5	43 (46)	13 (12)	18 (19)	13	M10	205		25
48 (36)	38.1	15.9	62	165	121	84 (81)	42.9	53 (54)	15 (13)				206	Inner Ring Flange Bushing PUFBF PUFBS	30
48 (38)	42.9	17.5	72	167	127	93 (91)	47.6	51	16 (14)	21	17	M14	207	Inner Ring Straight Bushing PUSBF PUSBS	35
54 (40)	49.2		80	184	137	98 (97)	49.2	57 (60)	17 (14)				208		40
54 (40)	49.2	19.0	85	190	146	106 (104)	54.0	60 (61)	17 (15)				209		45
60 (45)	51.6		90	206	159	113 (111)	57.2	63 (65)	19 (16)	22	20	M16	210		50

* Values in () are for the stainless steel case.

Order **Catalog No.** **d**
PUFBF **30**

The stainless steel case (PUFBS and PUSBS) are built-to-order product.