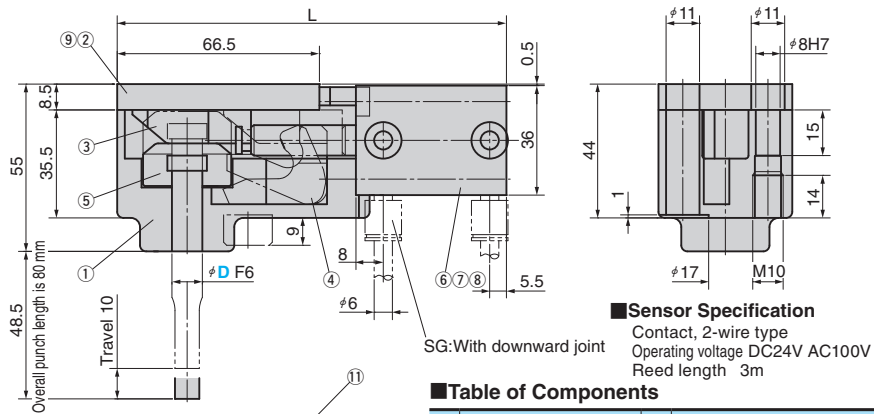
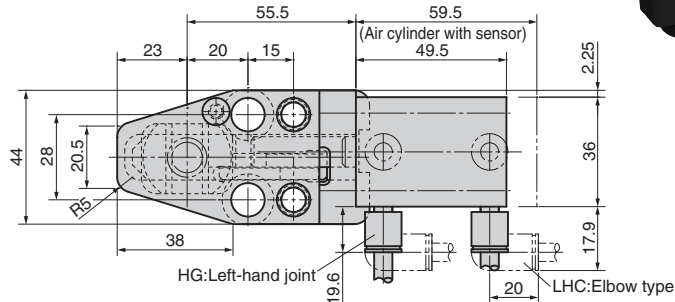


Without Sensor

- PSR (For Round Punch)
- PSRH (For Irregular Shaped Punch)

With Sensor

- PSRS (For Round Punch)
- PSRSH (For Irregular Shaped Punch)



■ Sensor Specification
 Contact, 2-wire type
 Operating voltage DC24V AC100V
 Reed length 3m

■ Table of Components

No.	Description	Qty	Material and Remark
①	Housing	1	SCM440
②	Backing Plate	1	S45C
③	Slide Bar	1	S45C
④	Lever	1	SCM440
⑤	Adaptor Ring	1	S45C
⑥	Air Cylinder	1	BY CKD(With/without sensor)
⑦	Joint	2	BY CKD (GWS6-M5)
⑧	Hexagon Socket Head Bolt	4	SCM435 M5-55 (65)
⑨	Hexagon Socket Head Bolt	1	SCM435 M5-15
⑩	Screw Plug	2	SCM435 M10-10
⑪	Hexagon Socket Head Bolt	2	SCM435 M10-65
⑫	Dowel Pin	2	SUJ2 φ8-40

* Cylinder, driving pressure
min 0.4MPa

* Weight
 • Without Sensor...1.0kg
 • With Sensor...1.1kg

L		Catalog No.	D	Joint position G
Without Sensor	With Sensor			
		PSR	10	HG(Left joint)
128	138	PSRH	13	MG(Right joint)
		PSRS	16	SG(Left joint)
		PSRSH		

*Joint position
 HG and SG are as shown in the diagram on the left page.
 The positions for MG are in a symmetric positions of HG shown in the diagram on the left page.

Order **PSR 13 - HG**

Option **LHC** Specification: The pipe joint is changed to the L (elbow) type. (GWL6-M5).

Order **PSR13 - HG - LHC**

■ For Operation

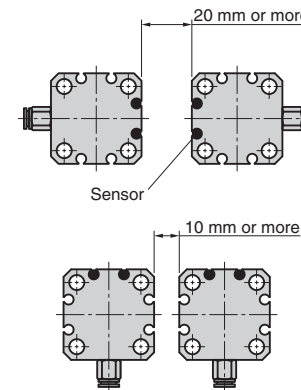
● Mounting a punch

- 1) Remove the backing plate and slide bar to pull out the piercing ring.
- 2) Mount the punch on the piercing ring.
- 3) Incorporate the piercing ring with a punch mounted on the retainer.
- 4) Incorporate the slide bar and backing plate.

* When using an irregular shaped punch, the clearances for the piercing ring and retainer main body must be correctly controlled. Check the alignment marks before setting in place.

● Precautions for using a sensor

When using PSRS type (PSR series with sensor) next to each other, secure a space with the dimensions below.



● Adaptor ring specification

(For round punch) (For Irregular Shaped Punch)

