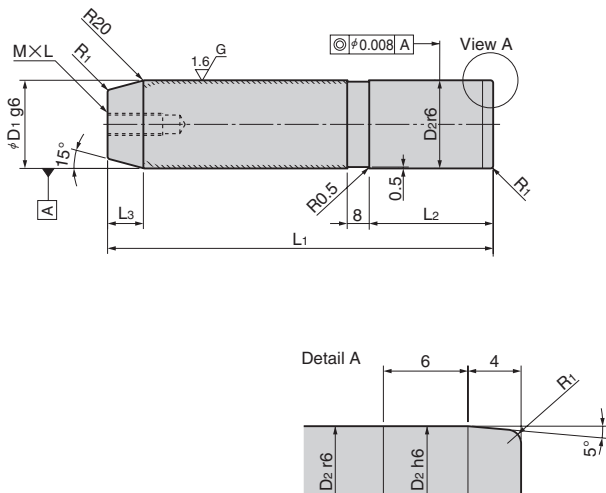


SNG51 Series



Material : 1045(S45C)  
 Area to be Induction Hardened  
 (Hatched Area)  
 HRC57 to 62

D1	D2	L1	L2	L3	R1	M×L	NAAMS Code	Catalog NO.	
								Series Name	No.
25	25	80	40	8	2		G512508		2508
		100					G512510		2510
		125					G512512		2512
		140					G512514		2514
		160					G512516		2516
32	32	180	45	8	2		G512518		2518
		100					G513210		3210
		125					G513212		3212
		140					G513214		3214
		160					G513216		3216
40	40	180	56	8	2		G513218		3218
		200					G513220		3220
		160					G514016		4016
		180					G514018		4018
		200					G514020		4020
50	50	225	70	10	2.5	M8×20	G514022		4022
		250					G514025		4025
		160					G515016		5016
		180					G515018		5018
		200					G515020		5020
63	63	225	80	10	2.5		G515022	SNG51	5022
		250					G515025		5025
		280					G515028		5028
		315					G515031		5031
		200					G516320		6320
80	80	225	100	10	3		G516322		6322
		250					G516325		6325
		280					G516328		6328
		315					G516331		6331
		355					G516335		6335
100	100	400	125	10	3		G516340		6340
		500					G516350		6350
		250					G518025		8025
		280					G518028		8028
		315					G518031		8031
115	115	355	140	10	3		G518035		8035
		400					G518040		8040
		500					G518050		8050
		315					G511031		1031
		355					G511035		1035
125	125	400	140	10	3	M12×30	G511040		1040
		500					G511050		1050
		400					G511150		1150
		450					G511240		1240
		500					G511245		1245
125	125	550	140	10	3		G511250		1250
		600					G511255		1255
		650					G511260		1260
		700					G511265		1265



Order

Catalog No.	
Series Name	No.

SNG51 2508 (SNG512508)

SNG51 Series is made to order.