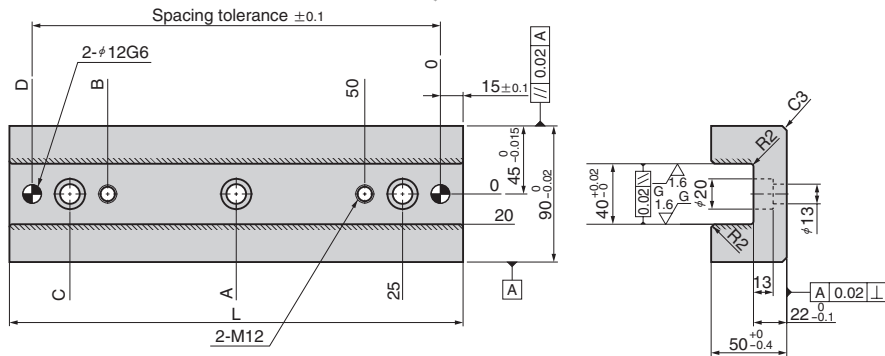


# Center Key Guide

NAAMS STANDARD

CAD FILE

SNG41 (Steel Type) Series



Material : 1045(S45C)  
Area to be Induction Hardened (Hatched Area)  
HRC40 or more

No. of Mounting Bolts	A	B	C	D	L	NAAMS Code	Catalog No.	
							Series Name	No.
2	—	120	145	170	200	G419020	<b>SNG41</b>	<b>9020</b>
3	135	220	245	270	300	G419030	<b>SNG41</b>	<b>9030</b>



Order

Catalog No.	
Series Name	No.
<b>SNG41</b>	<b>9020</b>

(SNG419020)

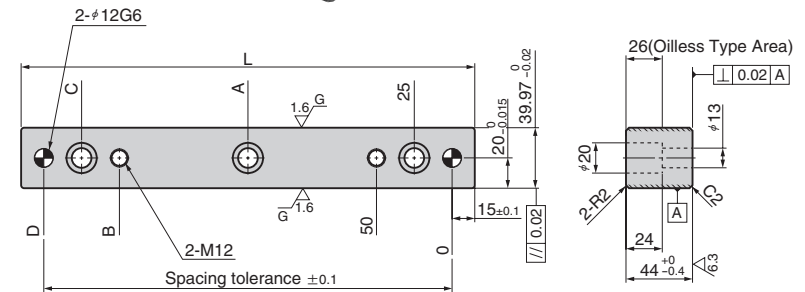
SNG41 Series is made to order.

# Center Key

NAAMS STANDARD

CAD FILE

SNG42 (Steel with Graphite) Series  
SNG43 (Bronze with Graphite) Series



Material :  
SNG42 1045(S45C) with Graphite  
Area to be Induction Hardened(Hatched Area)  
HRC40 or more  
SNG43 Bronze with Graphite (SO#50 SP2)

No. of Mounting Bolts	A	B	C	D	L	NAAMS Code		Catalog No.	
						Steel Type	Bronze Type	Series Name	No.
2	—	120	145	170	200	G424020	G434020	<b>SNG42</b>	<b>4020</b>
3	135	220	245	270	300	G424030	G434030	<b>SNG43</b>	<b>4030</b>



Order

Catalog No.	
Series Name	No.
<b>SNG43</b>	<b>4020</b>

(SNG434020)

SNG42/43 Series is made to order.