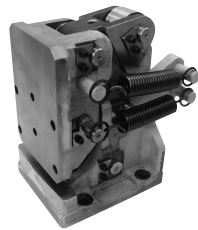
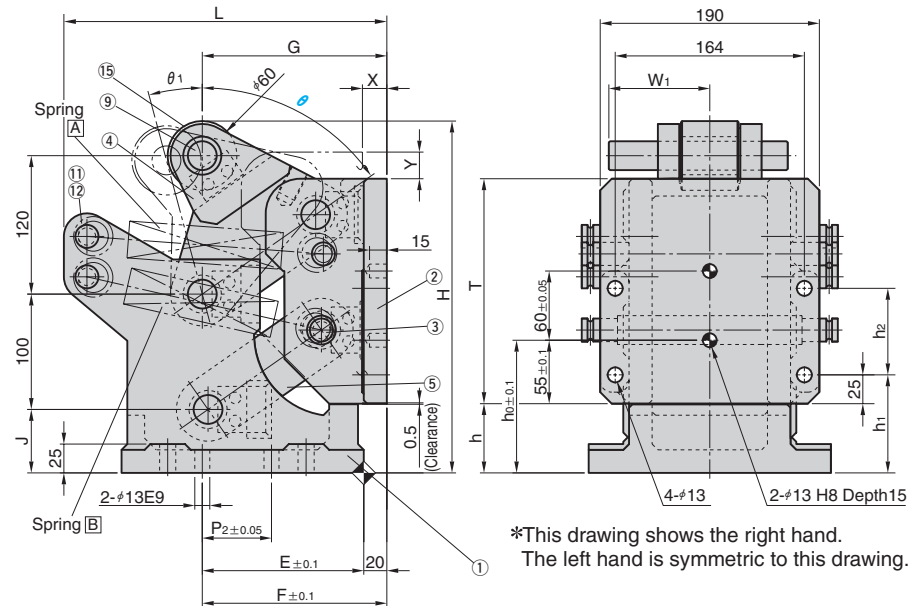
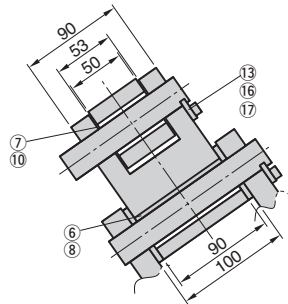
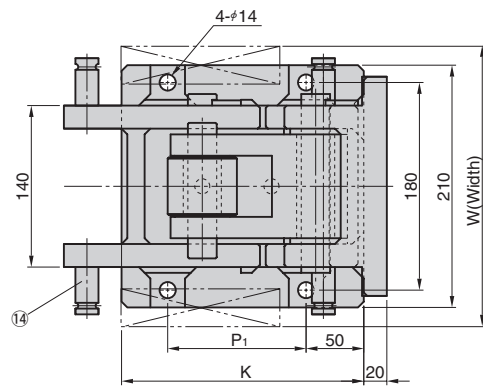
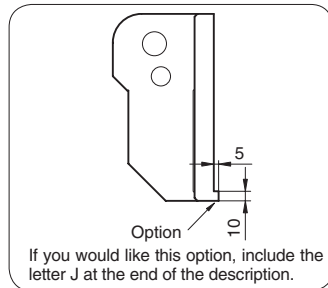


HPPLW



■Option - J



θ	θ_1	W	W ₁	E	F	G	H	J	K	L	T	X	Y	P ₁	P ₂	h	h ₀	h ₁	h ₂	Mount Load (kgf)	
45	15	239	100	140	160	160	305	55	210	280	210	24.9	19.1	120	60	60	115	85	77	96 or less	
55											195	21.2	23.1							75	75 or less
70	25	243	78	165	185	190	310	60	235	315	190	27.9	43.8	145	85	50	105	75	55	72 or less	

Catalog No.	θ	R / L
	45	
HPPLW	55	R and L
	70	



Order

Catalog No. **HPPLW** θ **70** - R/L **L**



The drivers conforming to HPPLW45 and 55 are HPCDAW. The driver conforming to HPPLW70 is HPCDCW (P.483 to P.486)



Sankyo Oilless can machine or modify the surface of the brackets. Please ask your sales representative.

■Spring Force

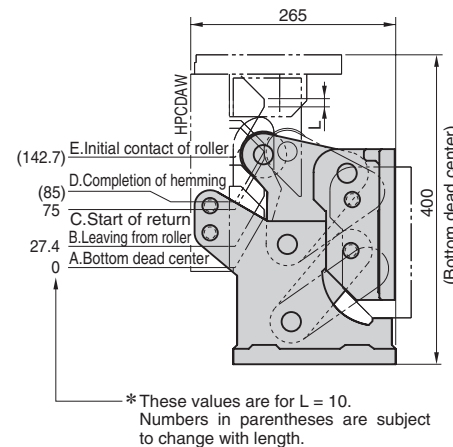
θ	Spring	Free Length (mm)	Initial Length (mm)	Initial Tensile Force N(kgf)	Final Length (mm)	Final Tensile Force N(kgf)
45	A	130.0	144.1	174.5×2 (17.8×2)	168.0	301.0×2 (30.7×2)
	B		143.4	170.0×2 (17.4×2)	170.1	312.7×2 (31.9×2)
55	A	174.0	147.0	190.0×2 (19.4×2)	168.4	304.8×2 (31.1×2)
	B		146.6	187.8×2 (19.2×2)	171.5	320.3×2 (32.7×2)
70	A	174.0	191.9	162.5×2 (16.6×2)	235.9	317.3×2 (32.4×2)
	B		196.0	176.8×2 (18.0×2)	240.3	332.5×2 (33.9×2)

■Table of Components

No.	Description	Qty	Material and Remark
①	Base	1	FCD600
②	Bracket	1	FCD600
③	Shaft	1	S50C
④	Arm	1	S50C
⑤	Arm	1	S50C
⑥	Oilless Bushing	4	Bronze with Graphite (SO#50 SP2)
⑦	Oilless Bushing	1	Bronze with Graphite (SO#50 SP2)
⑧	Oilless Washer	8	Bronze with Graphite (SO#50 SP2)
⑨	Hinge Pin	4	S45C
⑩	Dry Washer	2	Bronze Type Sintered
⑪	Spring	4	SWP-A
⑫	Ring	8	SS400
⑬	Key	5	SS400
⑭	Casting Pin	6	SS400
⑮	Cam Roller	1	S50C
⑯	Hexagon Socket Head Bolt	10	M6×20
⑰	Spring Washer	10	M6

■Operation between Driver and Unit

•For HPPLW45 to 55



•For HPPLW70

