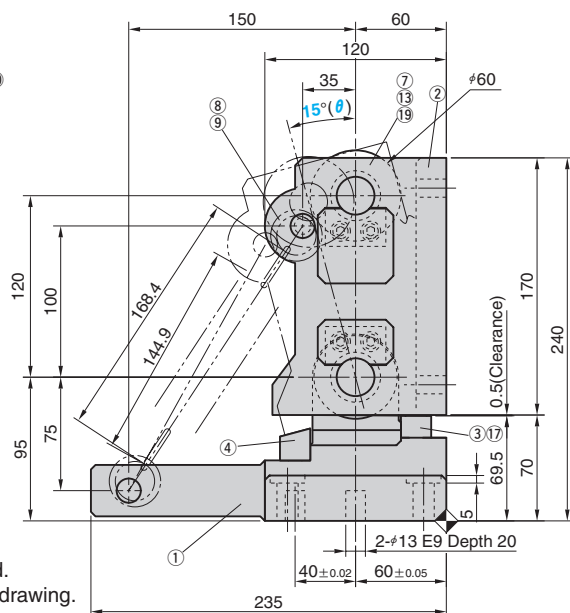
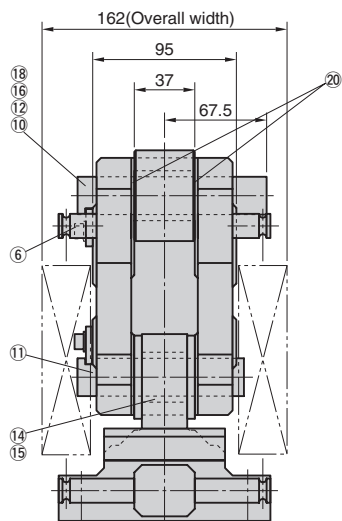
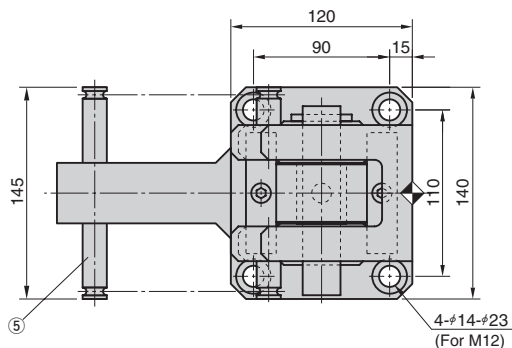
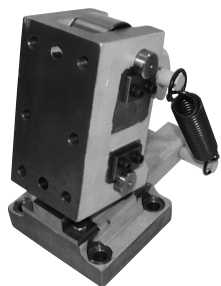


HPSL



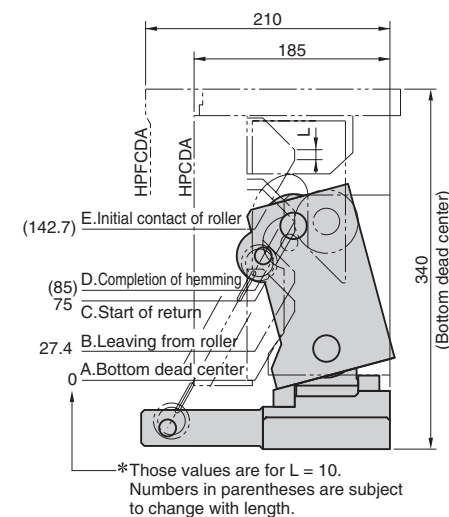
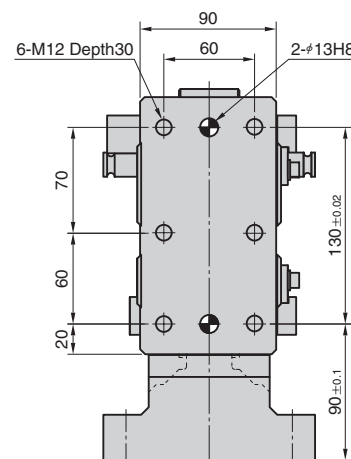
*This drawing shows the right hand.
The left hand is symmetric to this drawing.

Table of Components

No.	Description	Qty	Material and Remark
①	Base	1	FCD600
②	Bracket	1	FCD600
③	Liner	1	SS400
④	Back Stopper	1	SS400
⑤	Casting Pin	1	SS400
⑥	Casting Pin	2	SS400
⑦	Cam Roller	1	S50C
⑧	Ring	4	SS400
⑨	Spring	2	SWP-A
⑩	Hinge Pin	1	S45C

No.	Description	Qty	Material and Remark
⑪	Hinge Pin	1	S45C
⑫	Key	2	SS400
⑬	Oilless Bushing	1	Bronze with Graphite (SO#50 SP2)
⑭	Oilless Bushing	1	Bronze with Graphite (SO#50 SP2)
⑮	Oilless Washer	2	Bronze with Graphite (SO#50 SP2)
⑯	Bolts with hexagonal socket head	4	SCM435 M6×16
⑰	Bolts with hexagonal socket head	2	SCM435 M8×12
⑱	Spring washer	4	For M6
⑲	Oilless Bushing	1	Bronze with Graphite (SO#50 SP2)
⑳	Oilless Washer	2	F920 LWM24

Operation between Driver and Unit



*Those values are for L = 10.
Numbers in parentheses are subject to change with length.

Catalog No.	(θ)	R / L
HPSL	15	R · L

Order

The drivers conforming to this link unit are HPCDA and HPFCDA.(P.483 to P.486)

Sankyo Oilless can machine or modify the surface of the brackets. Please ask your sales representative.

Spring Force

Free Length	Initial Length	Initial Tensile Force N(kgf)	Final Length	Final Tensile Force N(kgf)
130.0	144.9	178.9×2 (18.2×2)	168.4	303.9×2 (31.0×2)

Option - J

