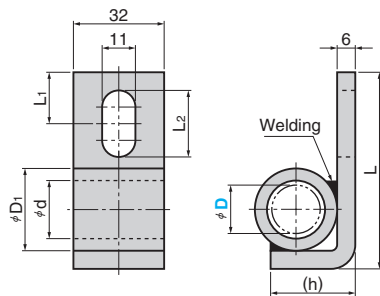


# Stopper For Scrap Chute

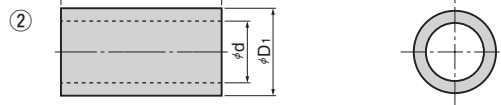
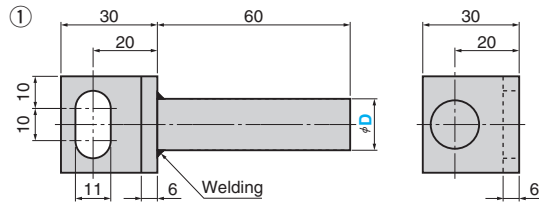
FOR SCRAP CHUTE

## FSCG



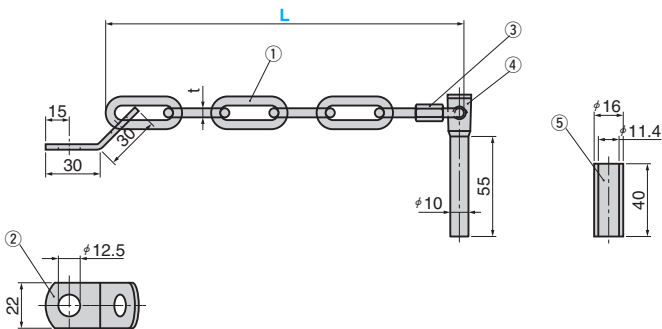
Material : SS400  
Black Oxide

## FSCH



Material : ① SS400  
Black Oxide  
② SS400

## Chain Set for Chute Fixing CHNS



| No. | Material and Remark |
|-----|---------------------|
| ①   | SS400 Unico         |
| ②   | SS400               |
| ③   | SS400 Joint Fixture |
| ④   | SS400 Unico         |
| ⑤   | STKM                |

| d    | D1   | L1 | L2 | L  | (h) | Catalog No. | D  |
|------|------|----|----|----|-----|-------------|----|
| 19.2 | 27.2 |    |    | 65 | 22  |             | 16 |
| 23   | 34   | 17 | 22 | 75 | 25  | FSCG        | 20 |

|  |       |             |    |
|--|-------|-------------|----|
|  | Order | Catalog No. | D  |
|  |       | FSCG        | 20 |

| d    | D1   | Catalog No. | D  |
|------|------|-------------|----|
| 19.2 | 27.2 |             | 16 |
| 23   | 34   | FSCH        | 20 |

|  |       |             |    |
|--|-------|-------------|----|
|  | Order | Catalog No. | D  |
|  |       | FSCH        | 20 |

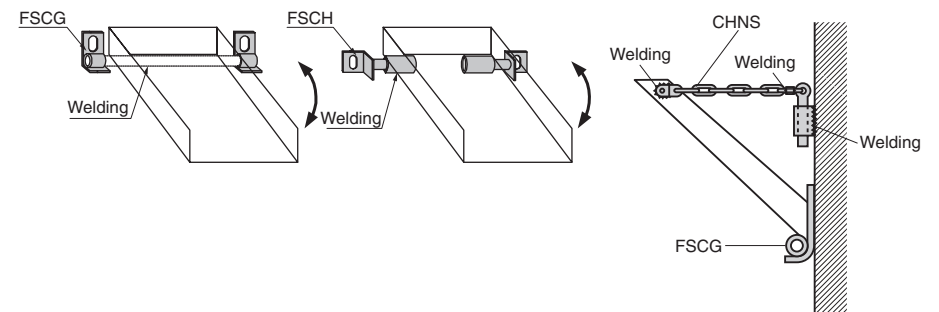
## Chain Set for Chute Fixing

| t | Chain Qty | Catalog No. | L   |
|---|-----------|-------------|-----|
|   | 7         |             | 200 |
| 5 | 10        | CHNS        | 300 |
|   | 15        |             | 500 |

|  |       |             |     |
|--|-------|-------------|-----|
|  | Order | Catalog No. | L   |
|  |       | CHNS        | 200 |

Joint tool (③) to be welded after adjustment.

## EX Example



Fix chain set CHNS on the lower die as in the scrap chute.