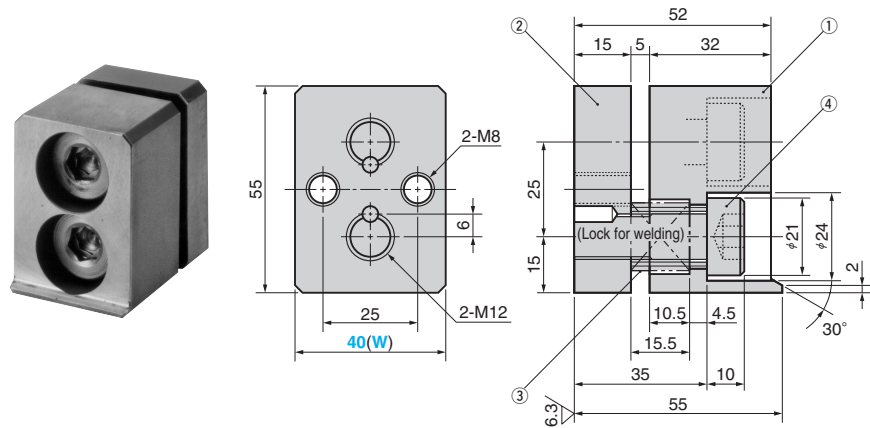


Pusher Spring Head

FOR PUSHER (ACCESSORY)

CAD FILE

PSH



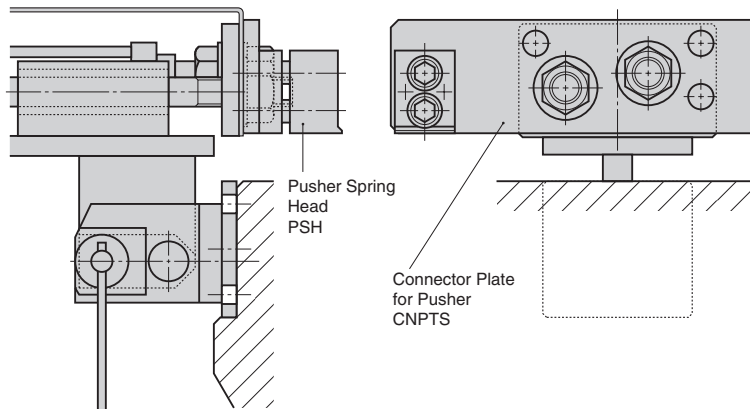
Load N(kgf)		Catalog No.	(W)
min	max		
37.8 (3.9)	79.8 (8.1)	PSH	40

Order **Catalog No.** **PSH** **(W)** **40**

Table of Components

No.	Description	Qty	Material and Remark
①	Pusher Plate	1	SS400
②	Connector Plate	1	SS400
③	Spring	2	SWPA #20×L20
④	Hanger Bolt	2	SCM435 with Bushing

EX Example

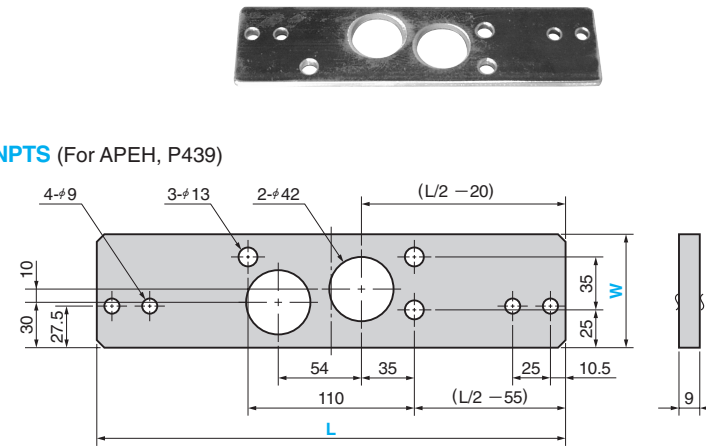


Connector Plate

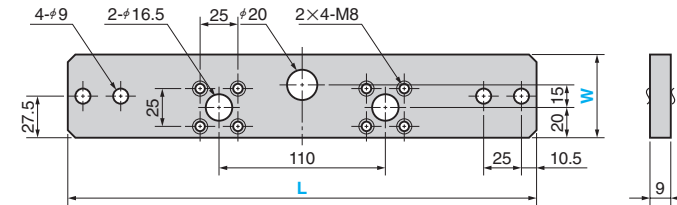
FOR PUSHER SPRING HEAD MOUNTING

CAD FILE

CNPTS (For APEH, P439)



CNPT (For SOAP, P433)



Material : SS400

Catalog No.	W	L Increments of 1 mm
		220~250
		251~300
		301~350
CNPTS	75	351~400
		401~450
		451~500
		501~550
		551~600

Catalog No.	W	L Increments of 1 mm
		250~300
		301~350
		351~400
CNPT	55	401~450
		451~500
		501~550
		551~600

Order **Catalog No.** **CNPT** **W** **55** - **L** **255**

⚠ CNPTS and CNPT are made to order.