

APEHB (With Bracket)
APEH (Without Bracket)

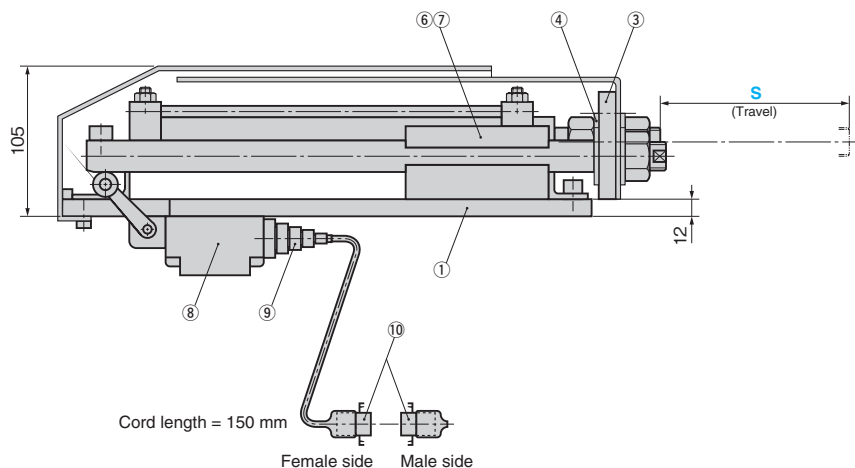
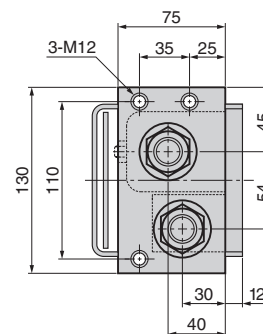
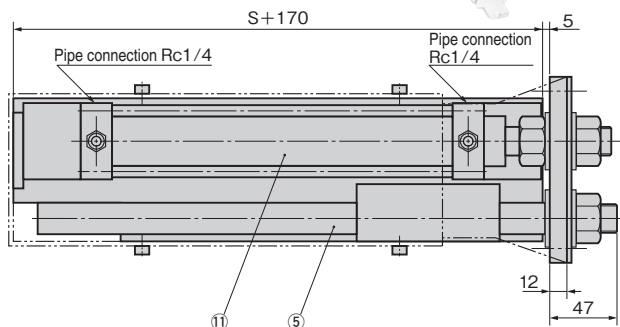
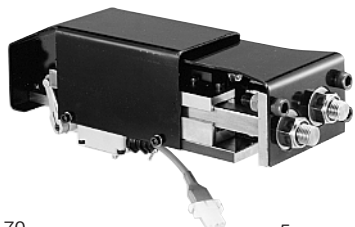
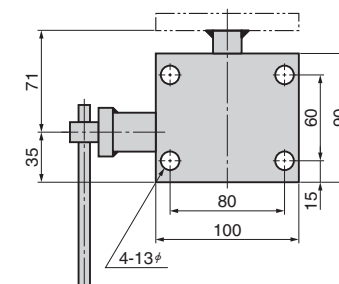
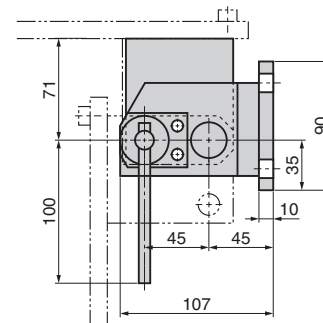


Table of Components

No.	Description	Qty	Material and Remark
①	Base plate	1	SS400
②	Bracket	1	SS400
③	Connector Plate Mounting Board	1	SS400
④	Collar	1	SS400
⑤	Guide Pin	1	S45C □22
⑥	Guide Holder (upper)	1	Bronze with Graphite (SO#50 SP2)
⑦	Guide Holder (lower)	1	Bronze with Graphite (SO#50 SP2)
⑧	Limit Switch	1	1LS2-J/WL-1A200 By Yamatake
⑨	CAPCON (cable clamp)	1	0A-1 By Ohm Electric
⑩	Nylon Connector Set	1	D-NLCS-1941-3P/R
⑪	Air Cylinder	1	D-MCY-F-40 By Taiyo

Bracket (2) KSCH



Catalog No.	Travel S
	150
	200
APEHB (With Bracket)	250
APEH (Without Bracket)	300
	350
	400
	500



Order

Catalog No.	S
APEHB	250



Made to order.

Bracket

Catalog No.

KSCH



Order

Catalog No.
KSCH

For operation

- When the bracket is used, the pusher can be folded for storage.
- Since the guide pin is square shaped, it does not turn.
- Type with or without bracket can be selected.
- When the unit is assembled to the die, weld the bracket to the desired position of the base plate.



Refer to page 439·440 for the pusher spring head and the connector plate.