

Swivel Adapter

FOR PUSHER

CAD
FILE

ADM (Regular Type)

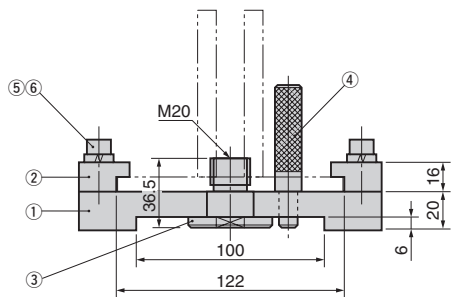
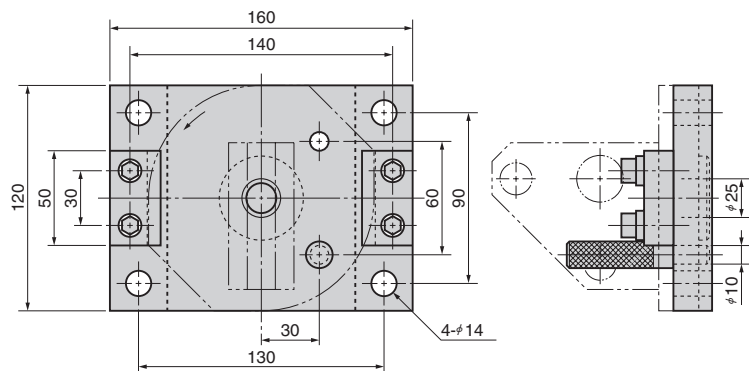


Table of Components

No.	Description	Qty	Material and Remark
①	Base Plate	1	SS400
②	Side Guide	2	SS400
③	Support Pin	1	S45C
④	Fixed Pin	1	S45C
⑤	Hexagon Socket Head Bolt	4	SCM435 M8×35
⑥	Spring Washer	4	SCM435 For M8



Order

Catalog No.

ADM



Made to order.