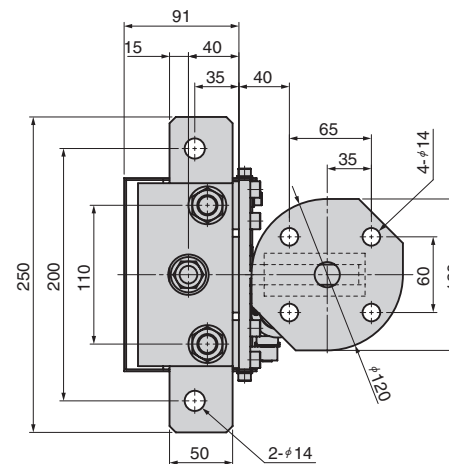
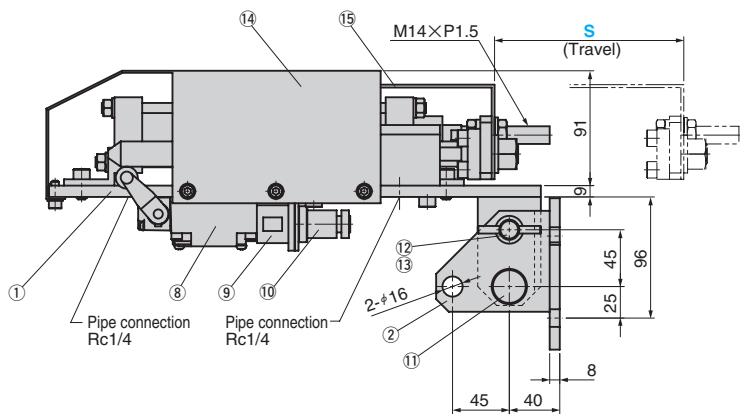
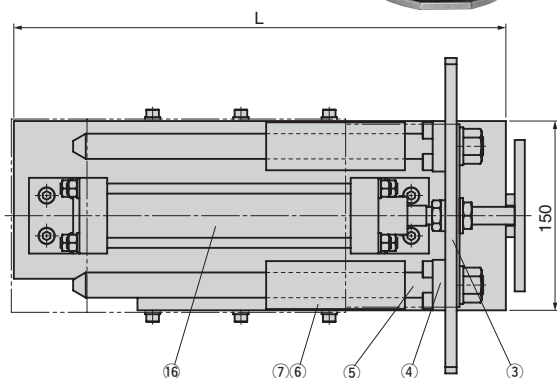


SOAP



Condition in storage

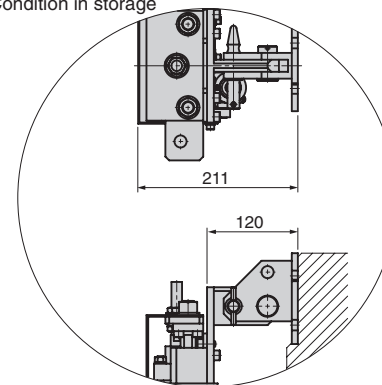


Table of Components

| No. | Description | Qty | Material and Remark |
|-----|------------------|-----|---------------------|
| ① | Base Plate | 1 | SS400 |
| ② | Bracket | 1 | SS400 |
| ③ | Connector Plate | 1 | SS400 |
| ④ | Set Plate | 2 | SS400 |
| ⑤ | Guide Pin | 2 | S45C |
| ⑥ | Bushing Holder | 2 | SS400 |
| ⑦ | Guide Bushing | 4 | FC250 with Graphite |
| ⑧ | Limit Switch | 1 | 1LS-J By Yamatake |
| ⑨ | Connector Holder | 1 | SS400 |
| ⑩ | Connector | 1 | NCS-252P/R By Nanao |
| ⑪ | Joint Pin | 1 | S45C |
| ⑫ | Stopper Pin | 1 | S45C |
| ⑬ | Chain | 1 | Height : 200 mm |
| ⑭ | Cover | 1 | SPC |
| ⑮ | Cover | 1 | SPC |
| ⑯ | Air Cylinder | 1 | Special part |

| L | Catalog No. | Travel S |
|-----|-------------|----------|
| 390 | SOAP | 150 |
| 490 | | 250 |



Order

| Catalog No. | S |
|-------------|-----|
| SOAP | 150 |



Made to order.

For Operation

- The unit can be folded when the die is stored.
- Use this unit for ejection of small or intermediate sized panels.



Refer to page 435 for pusher swivel adapter.