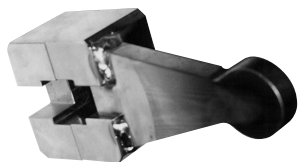
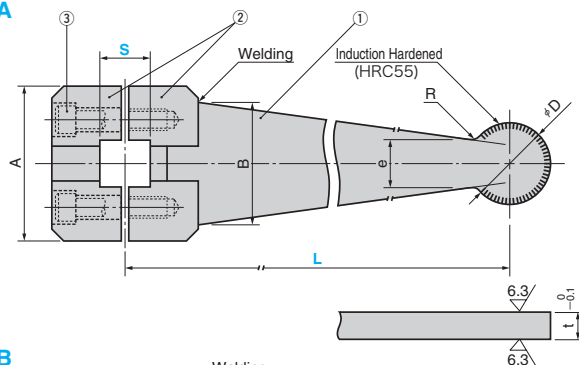


# Lifter Arm Set

FOR BELL CRANK LIFTER UNIT



SBLASA



SBLASB

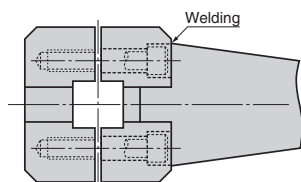
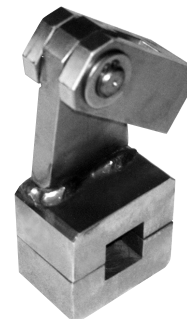


Table of Components

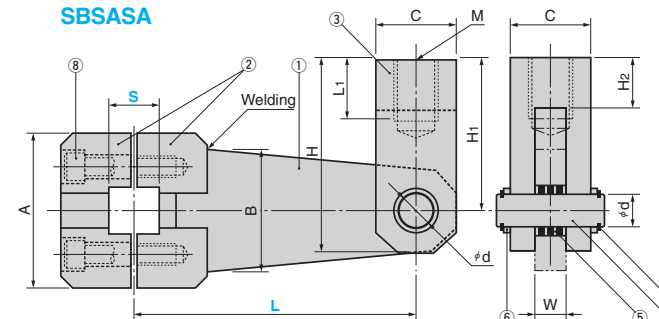
No.	Description	Qty	Material and Remark
①	Lifter Arm	1	S45C
②	Arm Block	1	SS400
③	Hexagon Socket Head Bolt	2	SCM435

# Shaft Arm Set

FOR BELL CRANK LIFTER UNIT



SBSASA



SBSASB

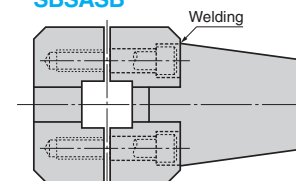


Table of Components

No.	Description	Qty	Material and Remark	No.	Description	Qty	Material and Remark
①	Shaft Arm	1	SS400	⑤	Oilless Bushing	1	Bronze with Graphite (SO#50 SP2)
②	Arm Block	1	SS400	⑥	Washer	2	
③	Joint	1	S45C	⑦	C type Retaining Ring	2	
④	Joint Pin	1	S45C	⑧	Hexagon Socket Head Bolt	2	SCM435

Catalog No.	S	L In increments of 10 mm	A	B	D	e	R	t
SBLASA SBLASB	28	L ≤ 100	75	60	40	25	10	15
		110 ≤ L ≤ 200						
		210 ≤ L ≤ 300						
	38	L ≤ 100	90	80	50	30	20	20
		110 ≤ L ≤ 200						
		210 ≤ L ≤ 300						
50	L ≤ 100	110	100	50	30	20	20	
	110 ≤ L ≤ 200							
	210 ≤ L ≤ 300							
	310 ≤ L ≤ 400							
		410 ≤ L ≤ 500						
		510 ≤ L ≤ 600						

Order   -   
  -

SBKASA and SBLASB are made to order.

Catalog No.	S	L In increments of 10 mm	Screw Type (joint area)	A	B	C	H	H <sub>1</sub>	H <sub>2</sub>	L <sub>1</sub>	d	W	M	t
SBSASA	28	L ≤ 100	R (Right-hand thread)	75	60	40	95	75	25	30	16	16	20 × P2.5	15
		110 ≤ L ≤ 200												
		210 ≤ L ≤ 300												
SBSASB	38	L ≤ 100	L (Left-hand thread)	90	80	50	110	85	35	40	20	20	24 × P3.0	20
		110 ≤ L ≤ 200												
		210 ≤ L ≤ 300												
50	L ≤ 100	110	L (Left-hand thread)	110	100	50	110	85	35	40	20	20	27 × P3.0	20
	110 ≤ L ≤ 200													
	210 ≤ L ≤ 300													
	310 ≤ L ≤ 400													
		410 ≤ L ≤ 500												
		510 ≤ L ≤ 600												

Order   -  -   
  -  -

SBSASA and SBSASB are made to order.