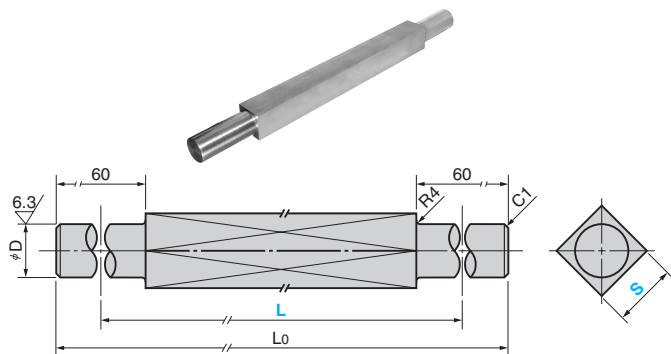


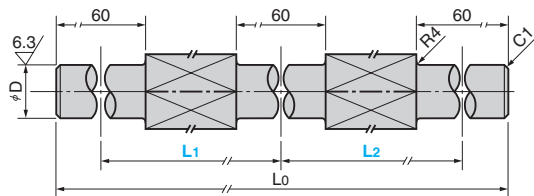
Shaft

FOR BELL CRANK LIFTER UNIT

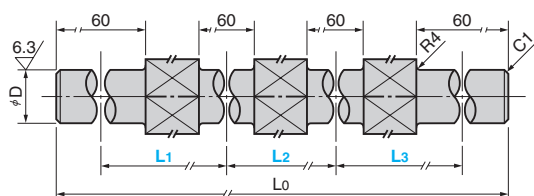
SBSHA



SBSHB



SBSHC



* L, L₁, L₂ and L₃ are dimensions between centers at ϕD .
* L₀ is the overall length.

Material: SS400

S Tolerance	D Tolerance	Catalog No.	S	L, L ₁ , L ₂ , L ₃	Range for L ₀ size
28	25	SBSHA	28	Determine the size within the range in the right. (Increment of 1 mm)	SBSHA L ₀ ≤ 1600
38	35	SBSHB	38		SBSHB L ₀ ≤ 2000
50	45	SBSHC	50		SBSHC L ₀ ≤ 2000

Order

Catalog No.	S	L	L ₁	L ₂	L ₃
SBSHA	28	-	980		
SBSHB	28	-	500	-	600
SBSHC	28	-	400	-	400

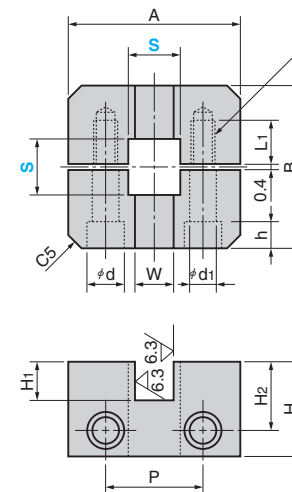
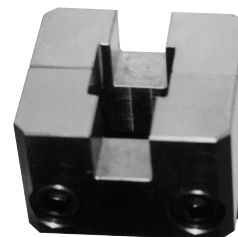
▲ SBSHA, SBSHB and SBSHC are made to order.

Arm Block

FOR BELL CRANK LIFTER UNIT

CAD FILE

SBABC



Material: SS400

Catalog No.	S Tolerance	A	B	W Tolerance	d	d ₁	h	M	L ₁	H	H ₁	H ₂	P		
SBABC	28	+0.013 0	75	70	20	+0.052 0	20	13	13	12	25	50	20	35	50
	38	+0.016 0	90	80	30				30	55	25	40		65	
	50		110	100	40	+0.062 0	26	18	18	16	35			80	

Order

Catalog No.	S
SBABC	38

▲ Made to order.