

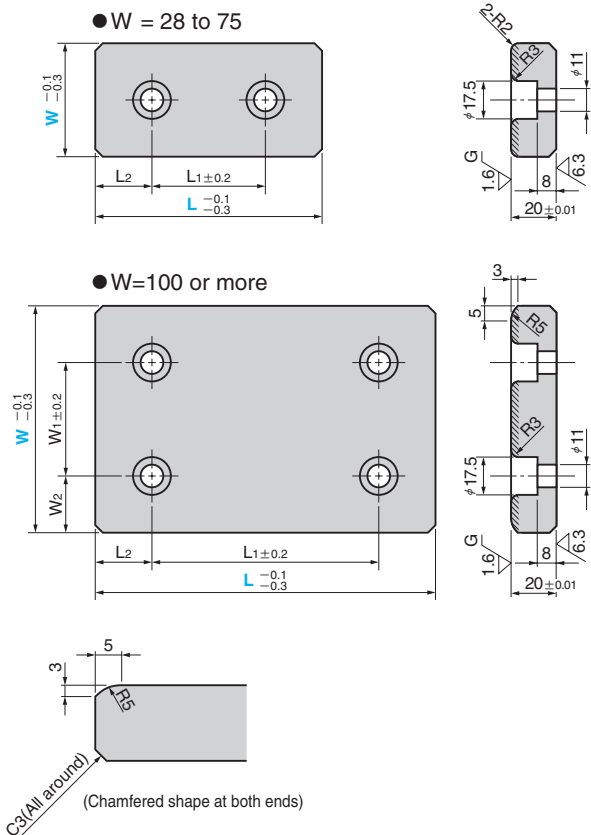
# Slide Plate

Thickness 20 mm

STEEL TYPE

CAD FILE

SCLSP



Material : S45C  
 Hardness: HRC55 or more  
 Area to be Induction Hardened  
 (Hatched Area)

W1	W2	L1	L2	Catalog No.	W	L
		45	15			75
		50	25		28	100
		100				150
		45	15			75
		50	25		38	100
		100				150
		45	15			75
		50				100
		75				125
		100	25		48	150
		150				200
		200				250
		45	15			75
		50			58	100
		100				150
		25				75
		50				100
		75				125
		100		SCLSP	75	150
		150	25			200
		200				250
		50				100
		75				125
	25	100			100	150
		150				200
		200				250
50		200	50			300
		75				125
		100				150
	37.5	150	25		125	200
		200				250
		200	50			300
			75			350
100		100				150
	25	150	25		150	200
		200				250

Order  Catalog No.  W  -  L   
 SCLSP 38 - 75

■ We are ready to accept requests or orders for special parts.