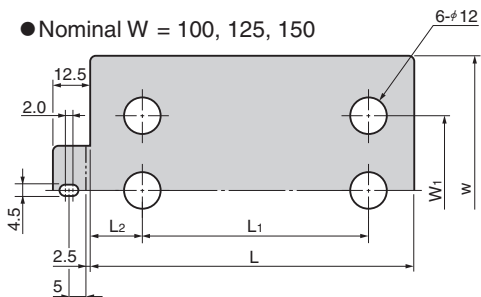
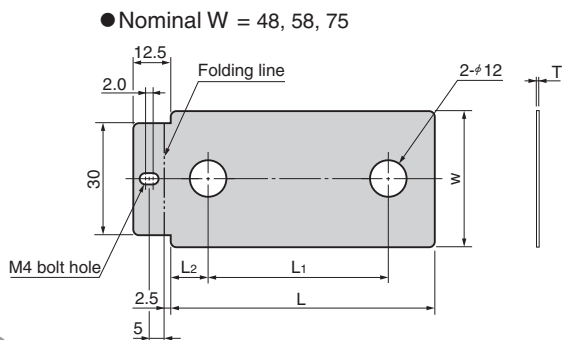
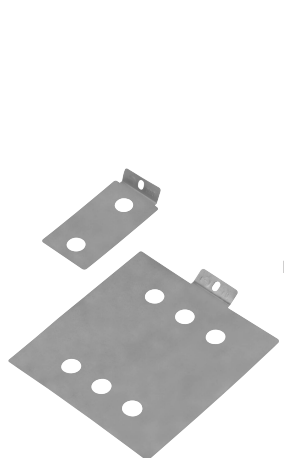


Shim Plate

FOR WEAR PLATE

SHMS



■ T Tolerance

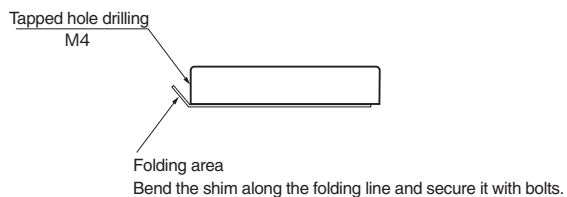
T	Tolerance
0.03 0.05	±0.01
0.1 0.2 0.3	±0.02

Material : SUS304

■ For Operation

- This is common for wear plate thickness of 10 and 20 mm, and 2 and 4 holes.
- Drill tapped holes (M4) on the wear plate at the folding area so that the shim plate will not be lost.

EX Example



W1	L1	L2	w	L	Catalog No.	Nominal (wear plate)		Thickness T
						W	L	
	45	12.5		70			75	
	50			95			100	
	75		38	120		48	125	
	100	22.5		145			150	
	150			195			200	
	45	12.5		70			75	
	50		48	95		58	100	
	100			145			150	
	25			70			75	0.03
	50			95			100	
	75		65	120		75	125	0.05
	100			145			150	
	150			195	SHMS		200	0.1
	50			95			100	
	75			120			125	0.2
	100	22.5	90	145		100	150	
	150			195			200	0.3
50	200			245			250	
	75			120			125	
	100			145		125	150	
	150		115	195			200	
	200			245			250	
100	100			145			150	
	150		140	195		150	200	
	200			245			250	



Order

Catalog No.	W	-	L	-	T
SHMS	48	-	125	-	0.1

▲ For Order:

When ordering the 0.03, 0.05 or the 0.1 shim plate sizes, the quantity of shim plates shipped is 10 per size. Single plates each can be ordered for 0.2 and 0.3 shim plates.