

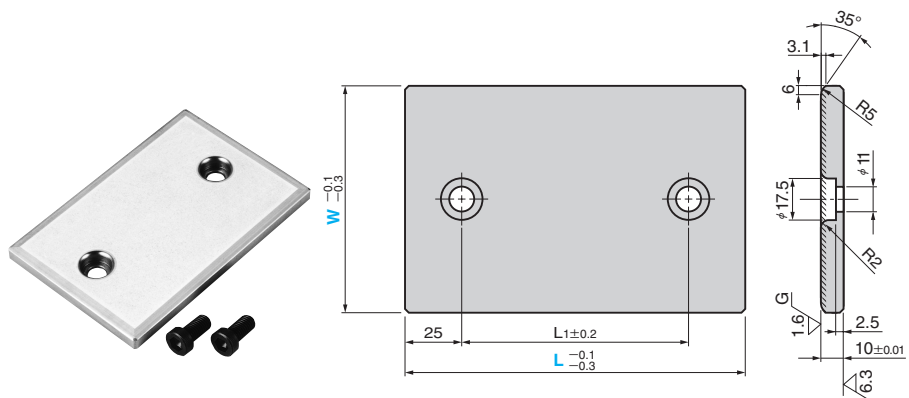
Wear Plate

Thickness 10 mm

SINTERED TYPE

CAD FILE

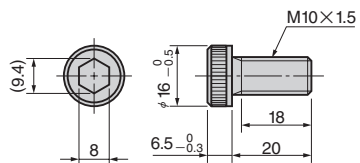
TWXT (2-hole Type)



● Sliding Direction



● Special brazier head bolt (LCS standard)
LCS10-20



Material : Copper powder sintered (SO#220)
Hatched Area Sintered
Thickness 1.2 mm or more
SS400(base plate)
Accessory : Mounting Bolt

L1	Catalog No.	W	L
50			100
75			125
100		100	150
150			200
200			250
75	TWXT		125
100		125	150
150			200
200			250
100		150	150
150			200
200			250



Order

Catalog No. TWXT
W 125 - L 125