

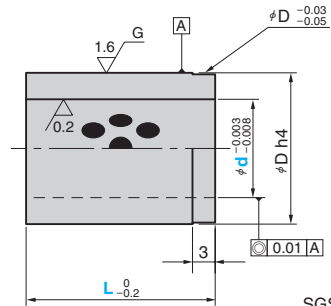
Stripper Guide Bushing

FOR STRIPPER PLATE

CAD FILE

■ Straight Type

SGSW (Bronze Type)

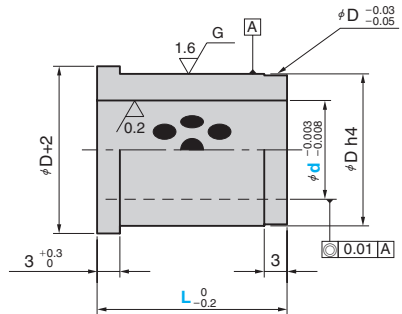


SGSW Material
Bronze with Graphite
(SO#50 SP2)

● Sliding Direction

■ Flange Type

SGFW (Bronze Type)



SGFW Material
Bronze with Graphite
(SO#50 SP2)

● Sliding Direction

Catalog No.	d	D h4
13	20	$0/-0.006$
SGSW 16	24	$0/-0.006$
SGFW 20	28	$0/-0.007$
25	34	$0/-0.007$

Catalog No.	d	L
		20
	13	25
		30
		20
	16	25
		30
		35
SGSW		20
	20	25
		30
		35
		20
		25
	25	30
		35
		40

Catalog No.	d	L
		20
	13	25
		30
		20
	16	25
		30
		35
SGFW		20
	20	25
		30
		35
		20
		25
	25	30
		35
		40



Order

Catalog No.	d	-	L
SGSW	16	-	30
SGFW	13	-	25