

Urethane Storage Block Set

ANGLE TYPE

CAD FILE

Urethane Storage Block Set (①, ②, ③, ④)

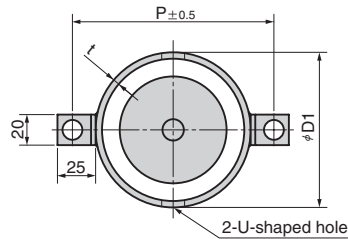
USBSA (Retainer used for SORTA)

USBSAB (Retainer used for SORTB)

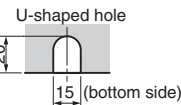
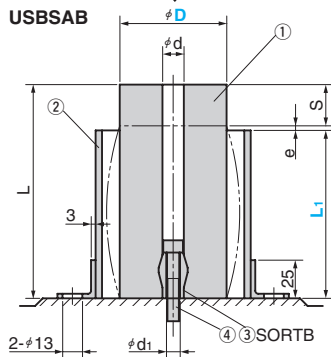
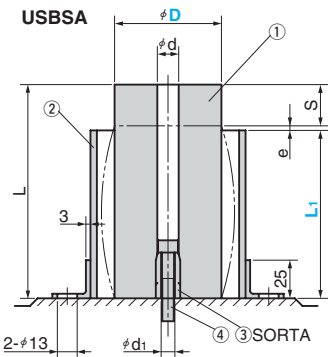
See page 529 for storage methods.



*Retainers are fixed to urethane.



Load F(kN)



Urethane Storage Pipe (②) Urethane Spring (①)

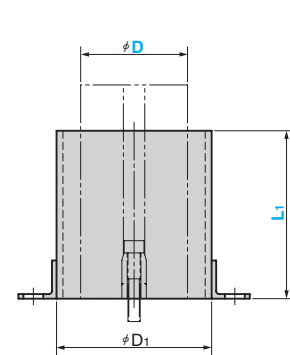
USPA

USA

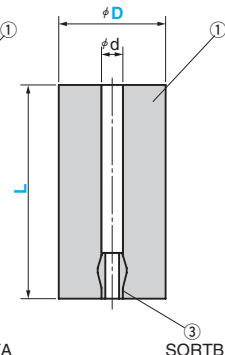
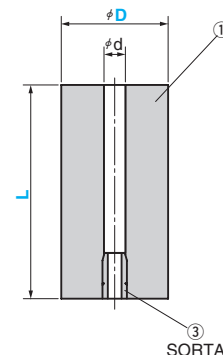
(with SORTA ①, ③ USAT)

USA

(with SORTB ①, ③ USATB)



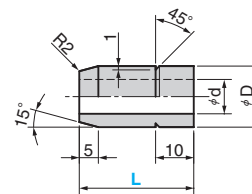
Material: SGP



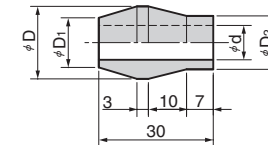
Material: Polyester type
Shore A90

Retainer (③)

SORTA



SORTB



*Retainers and bolts for each catalog No.

Urethane D	Catalog No.		④ Bolt Used
	USBSA	USBSAB	
40	SORTA	SORTB14	M8×45
50	14-30		
70	SORTA	SORTB22	Refer to () in the left
90	22-35 (M12×55)	(M12×50)	

① Urethane Spring					② Urethane Storage Pipe					Catalog No.	D	L ₁	Safety Color
D	L	d	S	S=L×20% F(kN)	e	D ₁	L ₁	P	t				
40	80	14	16	5.5	4	60.5	60	91	3.8	USBSA USBSAB USPA	40	60	R (Red) Y (Yellow)
50	110		22	8.5	3	89.1	85	119			50	85	
70	140	22	28	21.0	12	101.6	100	132	4.2	USBSA USBSAB USPA	70	90	R (Red) Y (Yellow)
					2		110				90		
90				33.0	12	139.8	100	170	4.5	USBSA USBSAB USPA	90	100	R (Red) Y (Yellow)
					2		110						

Order	Catalog No.	D	L ₁	Safety Color
	USBSA	70	100	Y
	USPA	70	100	R

Urethane Spring (USA : ①, USAT·USATB : ①·③)

d	Catalog No.	D	L
14	USA	40	80
	USAT	50	110
22	USATB	70	140
		90	140



Order

Catalog No.	D	L
USA	70	140
USAT	70	140

Retainer (③)

D	d	Urethane Diameter	Catalog No.	Nominal	L
16	9	40·50	SORTA	14	30
24	13	70·90		22	35



Order

Catalog No.	Nominal	L
SORTA	14	30
SORTB	22	35

D	D ₁	D ₂	d	Urethane Diameter	Catalog No.	Nominal
19	13	14	9	40·50	SORTB	14
27	20	22	13	70·90		22