

Urethane Storage Block Set

SINGLE BOLT FASTENING TYPE

CAD FILE

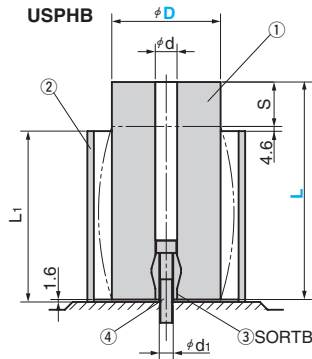
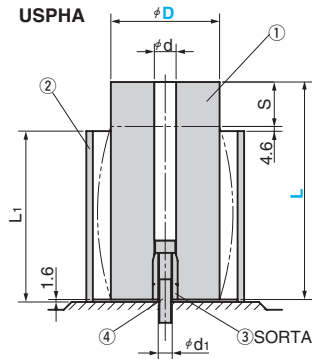
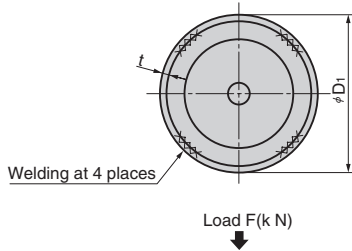
Urethane Storage Block Set (①, ②, ③, ④)

USPHA (Retainer used for SORTA)
USPHB (Retainer used for SORTB)

See page 529 for storage methods.

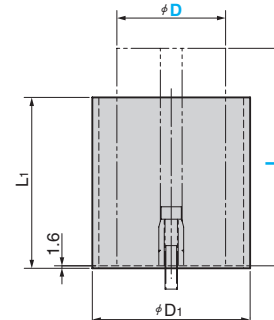


*Retainers are fixed to urethane.



Urethane Storage Pipe (②)

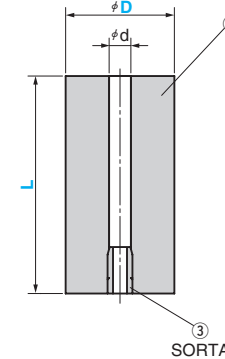
USPH
 (Note) Pay attention to the ordering method.



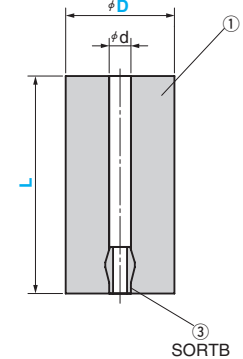
Material: SGP (Bottom plate: SPC)

Urethane Spring (①)

USA
 (with SORTA ①, ③ **USAT**)



USA
 (with SORTB ①, ③ **USATB**)

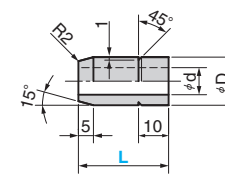


Material: Polyester type Shore A90

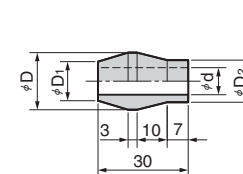
*Retainers and bolts for each catalog No.

Retainer (③)

SORTA



SORTB



Urethane D	Catalog No.		④ Bolt Used
	USPHA	USPHB	
50	SORTA 14-30	SORTB14	M8×45
70	SORTA 22-35 (M12×55)	SORTB22 (M12×50)	Refer to () in the left
90			
100			
110			

① Urethane Spring					② Urethane Storage Pipe				Catalog No.	D	L	Safety Color
D	L	d	S	S=L×20% F(kN)	D ₁	L ₁	d ₁	t				
50	110	14	22	8.5	76.3	85	9			50	110	R (Red) Y (Yellow)
70	110		22	22.0	89.1	85		2.8		70	110	
	140		28			109					140	
90	110		22			85				90	110	
	140	22	28	35.0	114.3	109	13	3.2		90	140	
	200		40			157				90	200	
100	140		28	42.5		109				100	140	
	200		40			157				100	200	
110	140		28	53.9	139.8	109		3.6		110	140	
	200		40			157				110	200	

Order	Catalog No.	D	L	Safety Color
	USPHA	90	200	R
	USPH	70	110	R(Note)

Remark: USPH110-140 are common standard with USPH100-140.
 When ordering USPH110-140, please instruct USPH100-140.

Urethane Spring (USA : ①, USAT·USATB : ①·③)

d	Catalog No.	D	L
14		50	110
		70	110
		140	140
22	USA USAT USATB	90	110
		140	140
		200	200
		100	140
		140	140
		110	200



Order	Catalog No.	D	L
	USA	70	140
	USATB	90	200

Retainer (③)

D	d	Urethane Diameter	Catalog No.	Nominal	L
16	9	50	SORTA	14	30
24	13	70~		22	35



Order	Catalog No.	Nominal	L
	SORTA	22	35
	SORTB	14	

D	D ₁	D ₂	d	Urethane Diameter	Catalog No.	Nominal
19	13	14	9	50	SORTB	14
27	20	22	13	70~		22