

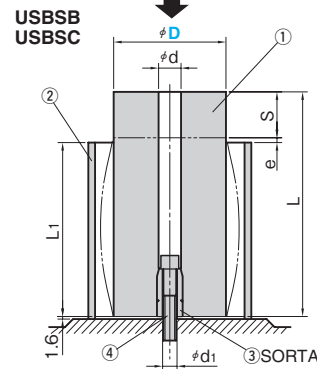
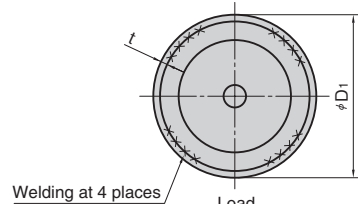
Urethane Storage Block Set

SINGLE BOLT FASTENING TYPE

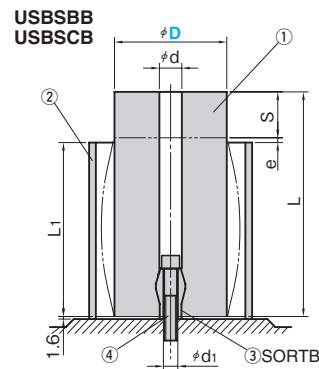
CAD FILE

Urethane Storage Block Set (①, ②, ③, ④)

- USBSB (Retainer used for SORTA)
- USBSBB (Retainer used for SORTB)
- USBSC (Retainer used for SORTA)
- USBSCB (Retainer used for SORTB)

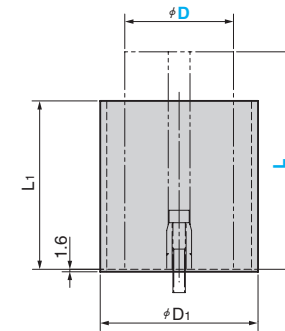


See page 529 for storage methods.



Urethane Storage Pipe (②)

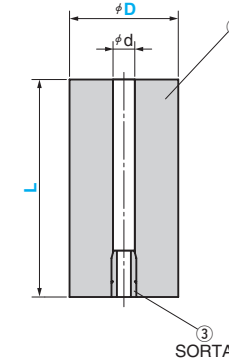
- USPB
- USPC



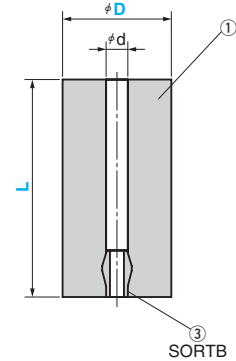
Material: SGP (Bottom plate: SPC)

Urethane Spring (①)

- USA
- (With SORTA ①, ③ USAT)



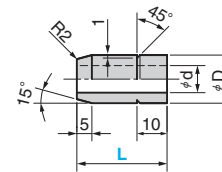
- USA
- (With SORTB ①, ③ USATB)



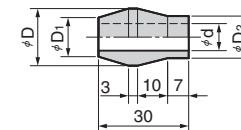
Material: Polyester type
Shore A90

Retainer (③)

- SORTA



SORTB



Retainers and bolts for each catalog No.

Urethane D	Catalog No.			Bolts Used
	USBSB USBSC	USBSBB USBSCB	④	
50	SORTA 14-30	SORTB14	M8x45	
70	SORTA 22-35	SORTB22	Refer to () in the left	
90 100	(M12×55)	(M12×50)		

① Urethane Spring						② Urethane Storage Pipe					Catalog No.	D	Safety Color
D	L	d	S	S=L×20% F(kN)	e	D ₁	L ₁	d ₁	t				
50	110	14	22	8.5	3	76.3	85	9	2.8	USBSB USBSBB USPB	50	R	
70				22.0		89.1						70	(Red)
90	140	22	28	35.0		114.3	109	13			3.2	90	Y
100				42.5		139.8						100	(Yellow)
50	110	14	22	8.5	2	89.1	85	9	4.2	USBSC USBSCB USPC	50	R	
70				22.0		101.6						70	(Red)
90	140	22	28	35.0		139.8	110	13			4.5	90	Y
100				42.5		152.5						100	(Yellow)

Order	Catalog No.	D	Safety Color
	USBSB	50	Y
	USPB	100	R

Urethane Spring (USA : ①, USAT-USATB : ①·③)

d	Catalog No.	D	L
14	USA USAT USATB	50	110
		70	110
90		140	
100		140	
22		90	110
		140	200
		100	140



Order

Catalog No.	D	L
USA	50	110
USATB	70	140

Retainer (③)

D	d	Urethane Diameter	Catalog No.	Nominal	L
16	9	50	SORTA	14	30
24	13	70~		22	35



Order

Catalog No.	Nominal	L
SORTA	14	30
SORTB	22	

D	D ₁	D ₂	d	Urethane Diameter	Catalog No.	Nominal
19	13	14	9	50	SORTB	14
27	20	22	13	70~		22