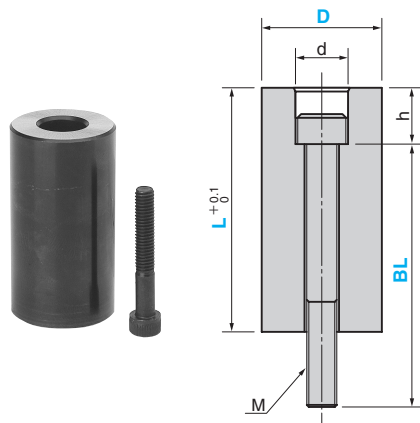


# Stroke End Block

HARDENED/HARDENED, TAPPED TYPE

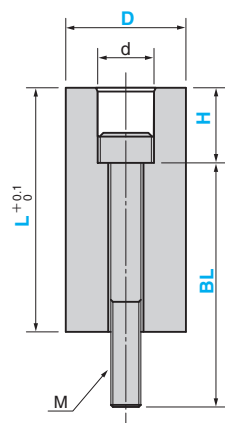
CAD FILE

SEBQ



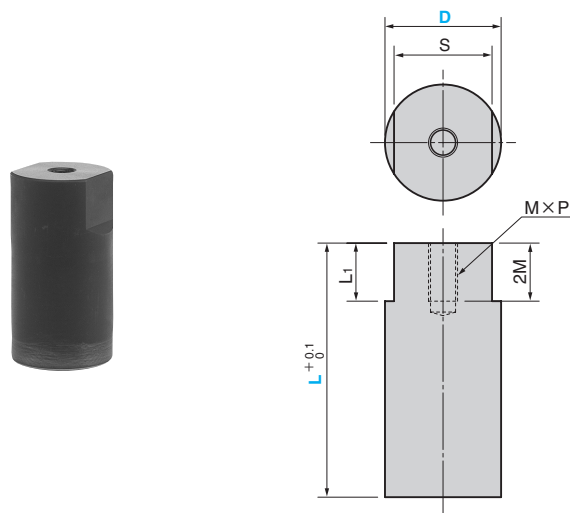
SEBQH

(Specified Counterbore Depth Type)



Main unit Bolt  
Material : SKS3 SCM435  
Hardness : 54 to 58 HRC

SEBQM



Material : SKS3  
Hardness : 54 to 58 HRC

M×P	d	h	Catalog No.	D	L Increments of 0.1 mm	BL Increments of 5 mm	Safety color
M 4×P0.7	8	8	SEBQ	16	15.0~ 50.0	10~ 50	R (Red) Y (Yellow) N (Black oxide)
M 5×P0.8	9.5	10		18	20.0~ 70.0	15~ 70	
M 6×P1.0	11	13		20	20.0~ 80.0	15~ 80	
M 8×P1.25	14	15		25	22.0~ 90.0	15~ 90	
				32	22.0~ 100.0	15~ 100	
M10×P1.5	17	18		38	25.0~ 100.0	20~ 100	
M12×P1.75	20	21	50	30.0~ 150.0	25~ 150		

M×P	d	Catalog No.	D	L Increments of 0.1 mm	BL Increments of 5 mm	H Increments of 1 mm	Safety color
M 6×P1.0	11	SEBQH	20	15.0~ 80.0	15~ 85	10~ 40	R (Red) Y (Yellow) N (Black oxide)
			25	15.0~ 90.0	15~ 100	10~ 40	
M 8×P1.25	14		32	15.0~ 90.0	15~ 100	10~ 40	
			38	20.0~ 100.0	20~ 115	15~ 40	
M10×P1.5	17		50	20.0~ 100.0	20~ 115	15~ 40	

M×P	S	L <sub>1</sub>	Catalog No.	D	L Increments of 0.1 mm	Safety color
M 6×P1.0	17	12	SEBQM	20	20.0~ 80.0	R (Red)
				25	22.0~ 90.0	Y (Yellow)
27	22.0~ 100.0			N (Black oxide)		
M10×P1.5	32	16		38	25.0~ 100.0	N (Black oxide)

Order	Catalog No.	D	L	BL	H	Safety color
	SEBQ	32	80.0	80	-	R
	SEBQH	32	80.0	70	25	Y
	SEBQM	25	55.0	-	-	Y

Option	Option Code	Specification
	LTC	L specification is changed to ±0.01. Since grinding is carried out simultaneously, variation of dimension L is within 0.005.
	LTP	L specification is changed from 0 to +0.01. Since grinding is carried out simultaneously, variation of dimension L is within 0.005.

Order	Order Code
	SEBQ 32 - 80.0 - 65 - Y - LTC
	SEBQM 25 - 55.0 - N - LTP