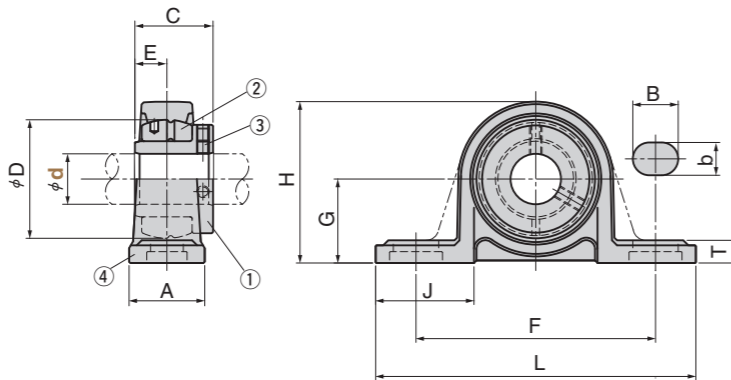


# Spherical Bushing Set Pillow Type

RoHS

**Inner Ring Flange Bushing**  
**PUFBF** (Gray Cast Iron Case)  
**PUFBS** (Stainless Steel Case)



**Inner Ring Straight Bushing**  
**PUSBF** (Gray Cast Iron Case)  
**PUSBS** (Stainless Steel Case)

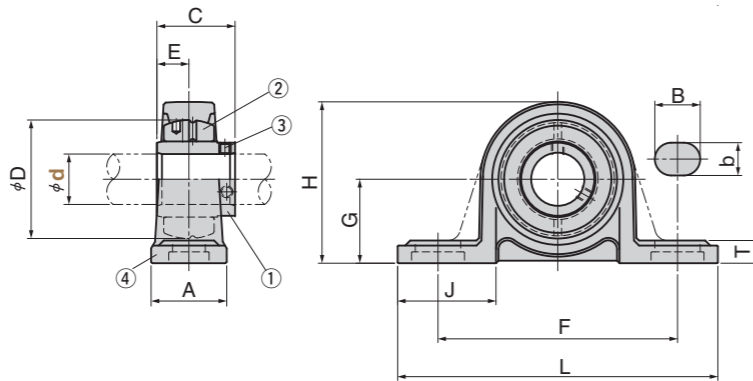


Table of Components

No.	Description	Qty	Material and Remark
①	Inner Ring	1	S45CNon-electrolytic nickel plating
②	Outer Ring	1	Bronze with Graphite Oilless Type(SO#50SP2)
③	Hexagon socket head set screw	4	SCM435(Straight bush is 2)
④	Case	1	Gray cast iron(FC200) Stainless(SCS13)

- ▲ Grease nipples are provided.
- ▲ Stopper pin for outer ring (SUJ2 1pce) is attached.

A	C	E	D	L	F	H	G	J	T	B	b	Mounting Bolt	Case No.	Catalog No.	d
38 (30)	31.0	12.7	47	127	95	64 (63)	33.3	38 (42)	13 (11)	18	13	M10	204		20
38 (30)	34.0	14.3	52	140	105	71 (69)	36.5	43 (46)	13 (12)	18 (19)			205	Inner Ring Flange	25
48 (36)	38.1	15.9	62	165	121	84 (81)	42.9	53 (54)	15 (13)				206	Bushing PUFBF PUFBS	30
48 (38)	42.9	17.5	72	167	127	93 (91)	47.6	51 (50)	16 (14)	21	17	M14	207	Inner Ring Straight	35
54 (40)	49.2		80	184	137	98 (97)	49.2	57 (60)	17 (14)				208	Bushing PUSBF PUSBS	40
54 (40)	49.2	19.0	80	190	146	106 (104)	54.0	60 (61)	17 (15)				209		45
60 (45)	51.6		90	206	159	113 (111)	57.2	63 (65)	19 (16)	22	20	M16	210		50

\* Values in ( ) are for the stainless steel case.

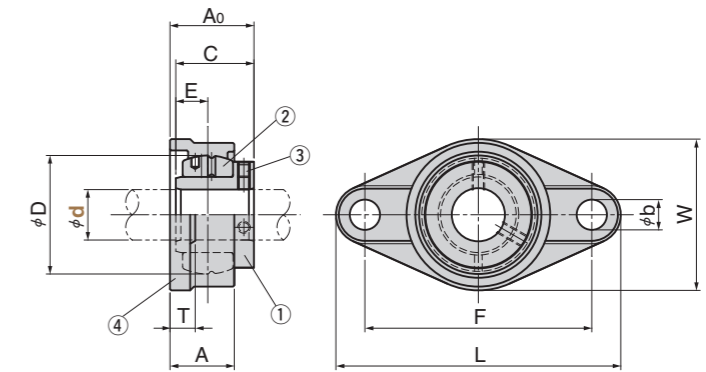
Order    
 PUFBF 30

▲ The stainless steel case (PUFBS and PUSBS) are built-to-order product.

# Spherical Bushing Set Rhomboid Flange Type

RoHS

**Inner Ring Flange Bushing**  
**DUFBF** (Gray Cast Iron Case)  
**DUFBS** (Stainless Steel Case)



**Inner Ring Straight Bushing**  
**DUSBF** (Gray Cast Iron Case)  
**DUSBS** (Stainless Steel Case)

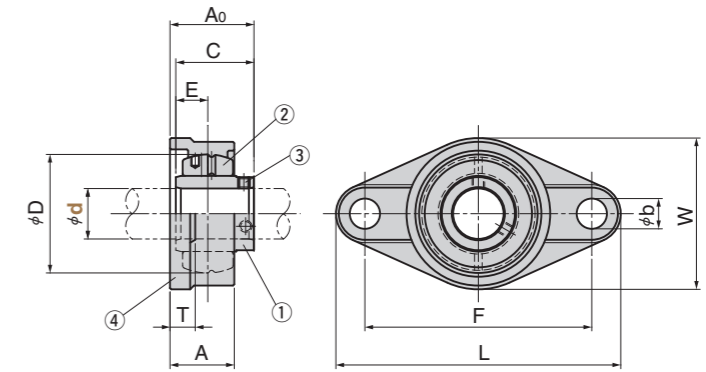


Table of Components

No.	Description	Qty	Material and Remark
①	Inner Ring	1	S45CNon-electrolytic nickel plating
②	Outer Ring	1	Bronze with Graphite Oilless Type(SO#50SP2)
③	Hexagon socket head set screw	4	SCM435(Straight bush is 2)
④	Case	1	Gray cast iron(FC200) Stainless(SCS13)

- ▲ Grease nipples are provided.
- ▲ Stopper pin for outer ring (SUJ2 1pce) is attached.

A	A0	C	E	T	D	L	F	W	b	Mounting Bolt	Case No.	Catalog No.	d
25.5 (26)	33.3	31.0	12.7	11 (10)	47	113	90	60	12	M10	204		20
27 (27.5)	35.7	34.0	14.3	13 (10)	52	130	99	68			205	Inner Ring Flange	25
31	40.2	38.1	15.9	13 (10)	62	148	117	80	16	M14	206	Bushing DUFBF DUFBS	30
34	44.4	42.9	17.5	14 (11)	72	161	130	90			207	Inner Ring Straight	35
36	51.2	49.2		14 (12)	80	175	144	100			208	Bushing DUSBF DUSBS	40
38	52.2	49.2	19.0	15 (13)	85	188	148	108	19	M16	209		45
40	54.6	51.6		15 (13)	90	197	157	115			210		50

\* Values in ( ) are for the stainless steel case.

Order    
 DUFBS 40

▲ The stainless steel case (DUFBS and DUSBS) are built-to-order product.