

Spherical Bushing Set

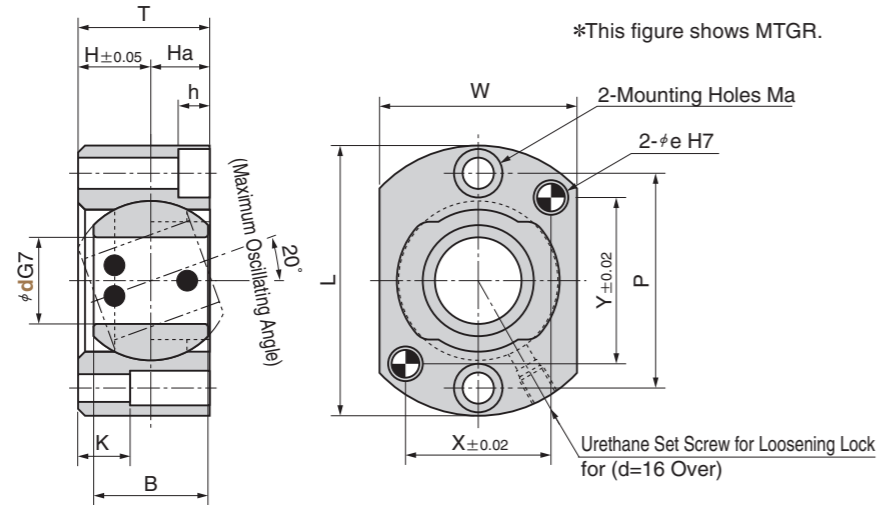
SO#50SP2

RoHS

Standard Type

MTGL (Left Handed)

MTGR (Right Handed)



● Sliding Direction

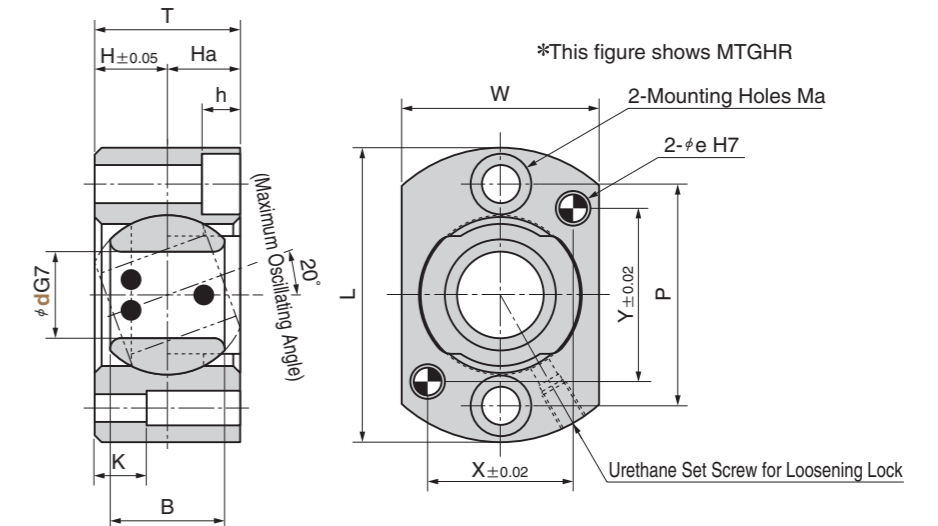
● Recommended mating post tolerance g6

Inner ring : Bronze with graphite
Case : S45C Tempered

Strong Type

MTGHL (Left handed)

MTGHR (Right handed)



● Sliding Direction

● Recommended mating post tolerance g6

Inner ring : Bronze with graphite
Case : S45C Tempered

L	W	T	H	Ha	B	Mounting Holes			Dowel Pin Hole				Catalog No.	d
						Ma	P	h	e	X	Y	K		
44	28	17	9	8	14	M5	32		5	20	28	9	MTGL MTGR	8
46	30	20	11	9	16		34	6		22		10		10
50	32	22	12	10	18		36			22	30	12		12
58	45	29	16	13	25	M6	45	7	6	30	35	15	MTGL MTGR	16
65	50	33	18	15	28		52				35			40
78	57	38	21	17	33	M8	62	9	8	40	50		MTGL MTGR	25
86	65	43	24	19	37		70				48			55

⚠ Urethane Stopper is attached for d=16 over

Accessory

d	Hexagonal Socket Head Bolt	Dowel Pin
8	M5×20	
10	M5×25	ϕ 5×20
12	M6×25	
16	M6×35	ϕ 6×25
20	M6×40	
25	M8×45	
30	M8×50	ϕ 8×30

Order **Catalog No.** **MTGR** **d** **16**

Allowable Load

(Unit : kN)

d	MTGL/R		MTGHL/R	
	Thrust Load	Radial Load	Thrust Load	Radial Load
8	0.5	4.9		
10	0.6	6.1		
12	0.7	8.4	—	—
16	1.6	15.4		
20	2.0	18.6		
25	2.9	31.3	2.9	31.3
30	3.8	33.1	3.8	33.1
35			4.4	33.1
40	—	—	4.8	33.1
50			7.0	51.7

L	W	T	H	Ha	B	Mounting Holes			Dowel Pin Hole				Catalog No.	d
						Ma	P	h	e	X	Y	K		
85	57	42	21	33		64	11		42	50		MTGHL MTGHR	25	
94	65	48	24	37	M10	72	13	8	48	55	15		30	
98	72	54	27	40		78						52	60	35
106	77	58	29	44		84	12		55	65		40		
124	88	66	33	48	M12	102	18	10	65	78	20	50		

Accessory

d	Hexagonal Socket Head Bolt	Dowel Pin
25	M10×45	
30	M10×55	ϕ 8×30
35	M10×60	
40	M10×65	
50	M12×65	ϕ 10×40

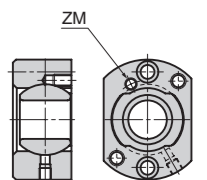


Option

Option Code	Specification
ZM	Position of Urethane Stopper is on the front face as per right sketch. (For $d \geq 16$)



Order **MTGR 25-ZM**



Order **Catalog No.** **MTGHL** **d** **30**