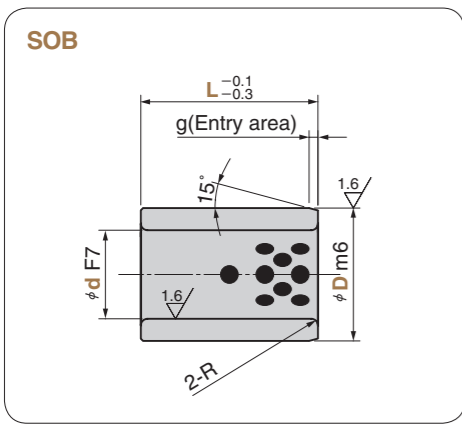


Oilless Bush Bronze Straight Type SO#50SP2

RoHS



Order **Catalog No.** SOB **d** - **D** - **L**
 SOB 120 - 140 - 80

⚠ d=150 and 160 is production on request.

d F7	D m6	R	g	Applicable Washer	Catalog No.	d	D	L
		2	2					40
								50
								60
								70
100	120			SOBW100		100	120	80
								90
								100
								120
								140
								50
								70
110	130			—		110	130	80
								100
								120
			3					70
								80
120	140	3		SOBW120	SOB	120	140	90
								100
								120
								140
125	145					125	145	100
								120
130	150					130	150	100
								130
140	160			—		140	160	100
								140
								80
150	170					150	170	100
			4					150
								80
160	180		3			160	180	100
								150

Operation Range (SO#50SP2)

Lubricant Type	Lubricating Condition	Environment Condition	Max. Allowable Load P N/mm ²	Max. Allowable Sliding Speed V m/min	Max. Allowable PV value N/mm ² ·m/min	Operation Range Temperature °C
GR-1	No lubrication	Atmosphere	100	15	150	-50~+300
	Regular lubrication(Grease)			30	200	-50~+150

Physical Properties (SO#50SP2)

Specific Gravity g/cm ³	Hardness HB	Elongation %	Tensile Strength N/mm ²	Linear Expansion Coefficient ×10 ⁻⁵ /°C
7.9	210 or more	12 or more	755 or more	1.9

Oilless Bush Bronze Straight·Thin I.D. F7· O.D. m6 Type SO#50SP2

RoHS

SOBU

• Sliding Direction

• Mating Post Tolerance
 d8: General use (high load)
 e7: General use (light load)
 f8: High precision

• Other Operating Conditions and Characteristics
 · Can be used in the atmosphere and fresh water (on condition).
 · Good performance in operation under high load and at low speed.

⚠ Operation temperature is 150°C or less

Material Base Bronze with Graphite(SP2)
Solid lubricant(GR-1)

Order **Catalog No.** SOBU **d** - **D** - **L**
 SOBU 10 - 12 - 15

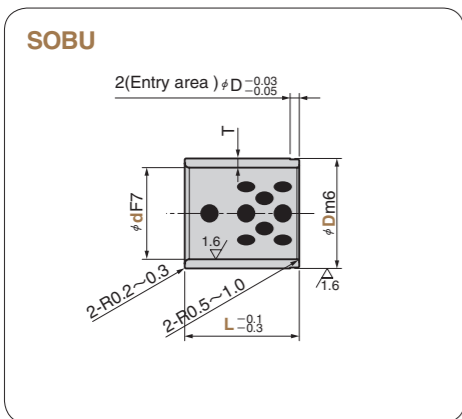
d F7	D m6	Housing		Thickness T	Catalog No.	d	D	L
		I.D.	H7					
6	8	8	8			6	8	8
								10
								12
								15
8	10	10	10	1		8	10	8
								10
								12
								15
10	12	12	12			10	12	10
								12
								15
								20
12	15	15	15			12	15	12
								15
								20
								25
13	16	16	16	1.5	SOBU	13	16	10
								12
								15
								20
15	18	18	18			15	18	8
								10
								12
								15
16	20	20	20	2		16	20	10
								12
								15
								20
18	22	22	22			18	22	10
								12
								15
								20

Oilless Bush

Bronze Straight · Thin I.D. F7 · O.D. m6 Type

SO#50SP2

RoHS



Order	Catalog No.	d	—	D	—	L
	SOBU	30	—	34	—	40

d F7	D m6	Housing		Thickness T	Catalog No.	d	D	L
		I.D. H7	H7					
20	24	24			SOBU	20	24	15
								20
								25
								30
								40
25	29	29		2	SOBU	25	29	15
								20
								25
								30
								40
30	34	34			SOBU	30	34	15
								20
								25
								30
								40
35	40	40			SOBU	35	40	15
								20
								25
								30
								40
40	45	45		2.5	SOBU	40	45	15
								20
								25
								30
								40
50	55	55			SOBU	50	55	15
								20
								25
								30
								40

■ Operation Range (SO#50SP2)

Lubricant Type	Lubricating Condition	Environment Condition	Max. Allowable Load P N/mm ²	Max. Allowable Sliding Speed V m/min	Max. Allowable PV value N/mm ² · m/min	Operation Range Temperature °C
GR-1	No lubrication	Atmosphere	100	15	150	-50 ~ +300
	Regular lubrication(Grease)			30	200	-50 ~ +150

■ Physical Properties (SO#50SP2)

Specific Gravity g/cm ³	Hardness HB	Elongation %	Tensile Strength N/mm ²	Linear Expansion Coefficient ×10 ⁻⁵ /°C
7.9	210 or more	12 or more	755 or more	1.9



Metal Sliding Materials