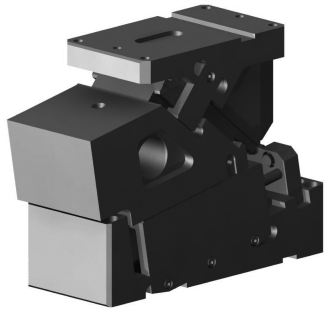




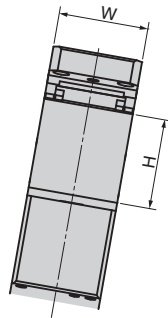
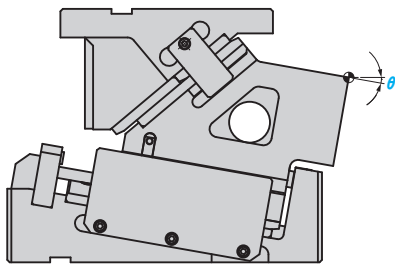
Die Mounted Cam Unit

General Description of SVSC

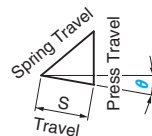


- SVSC complies with the VDI-BAK specification.
 - Specification of Guide Plate complies with VDI3357.
 - Specification of Gas Spring complies with VDI3003.
- Automatic alignment is provided by V-shaped guides.
- 50, 85, 110, 150, 220, 330 and 400 mount widths are available.
- Available angle are 0° to 20° in increments of 5°.
- Designed to facilitate easy removal of gas spring. (Disassembly of cam is unnecessary)
- Heavy duty type : high working force / return force.

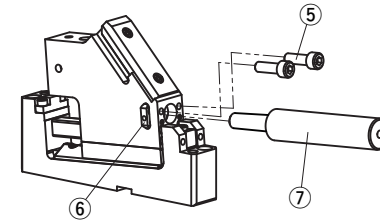
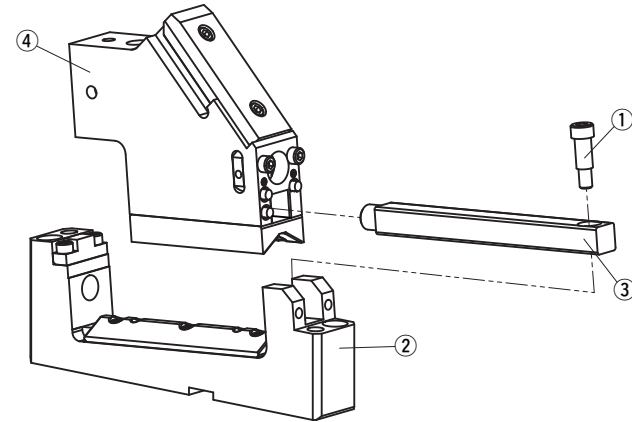
SVSC Specifications



Cam Diagram



SVSC50/85 Structure and Assembly / Disassembly



- Note) Only spring can be removed.
- 1) Remove hexagon socket head bolt(⑤).
 - 2) Pull out the spring stopper(⑥).
 - 3) Pull out the gas spring(⑦).

Disassembly method of SVSC50/85

- 1) Remove hexagon socket head bolt(①) and pull guide bar(③) from cam holder(②) 20mm to the rear. Remove the guide bar and cam slider(③④).
- 2) Pull and remove the guide bar from the cam slider.

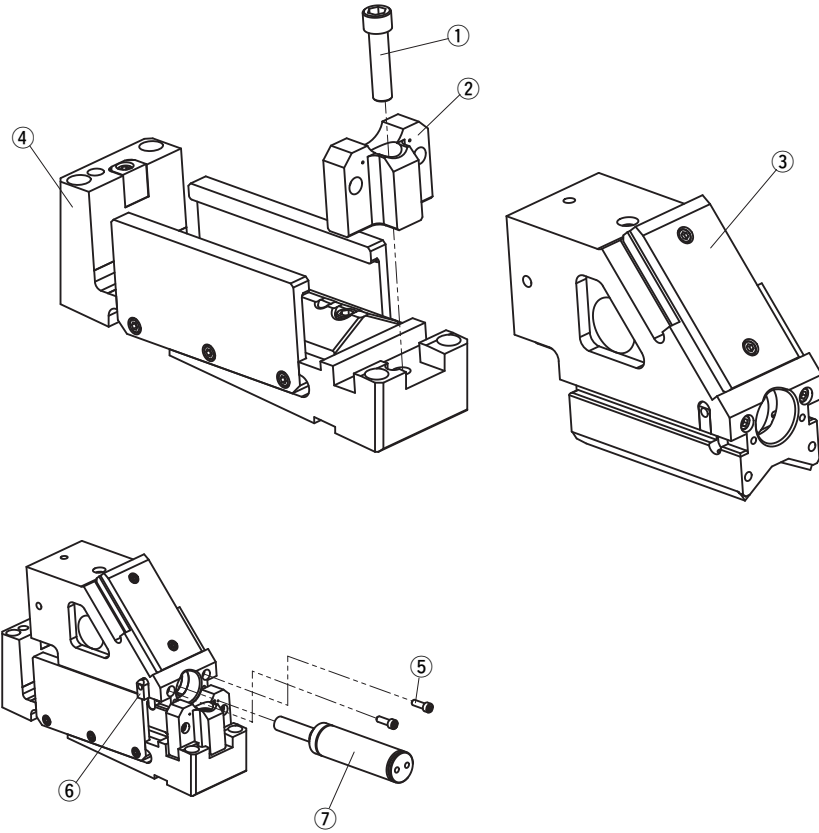
Assembly method of SVSC50/85

- 1) Assemble components in the reverse order of disassembly.
 - Make sure that there is no foreign material on the sliding area and assemble components.
 - The clearance between the guide bar / cam slider and the cam holder is adjusted. Match the stamped serial number on the holder and slider before assembly.
 - After reassembling, please ensure that all bolts removed are re-installed and tightened.

Mount Surface		Working Angle θ	Travel S	Working Force kN(tonf)		Spring Force kN*(kgf)	
W	H			Standard Working Force (one million strokes)	Initial Load	Final Load	
50	75		55	29.4(3.0)	2.00(204)	2.27(231)	
85	85			58.8(6.0)	2.65(270)	3.50(357)	
110		00		117.7(12.0)	4.70(479)	6.70(683)	
150	110	05	70	166.7(17.0)	7.40(755)	12.00(1,224)	
220		10		245.2(25.0)	9.40(959)	13.40(1,366)	
330		15		343.2(35.0)	14.80(1,509)	22.00(2,243)	
400	180	20	80	431.5(44.0)	14.80(1,509)	22.00(2,243)	

* Final Load is for Kaller Gas Spring.

■ SVSC110/150/220/330/400 Structure and Assembly / Disassembly



● Disassembly method of SVSC110/150/220/330/400

- 1) Remove hexagon socket head bolt(①) and remove stopper plate(②).
- 2) Pull and remove the cam slider(③) from the cam holder(④) to the rear.

● Assembly method of SVSC110/150/220/330/400

- 1) Assemble components in the reverse order of disassembly.
 - Make sure that there is no foreign material on the sliding area and assemble components.
 - The clearance between the guide bar / cam slider and the cam holder is adjusted. Match the stamped serial number on the holder and slider before assembly.

Note) Only spring can be removed.

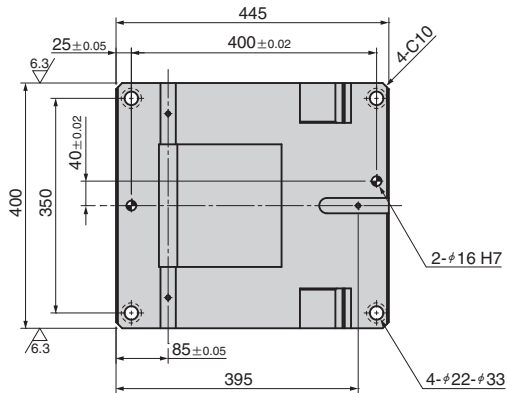
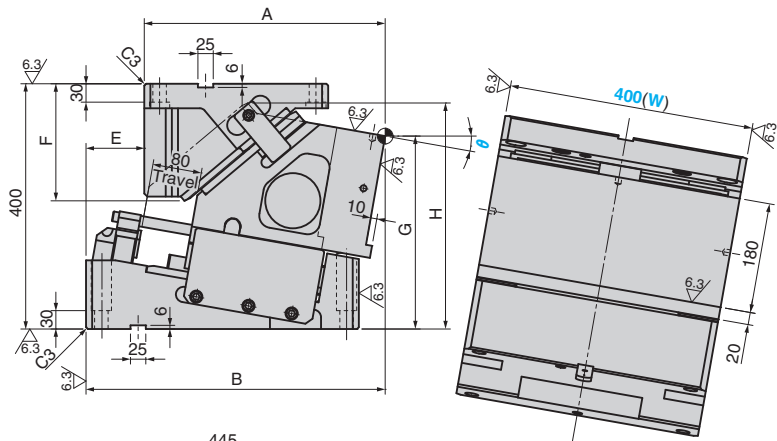
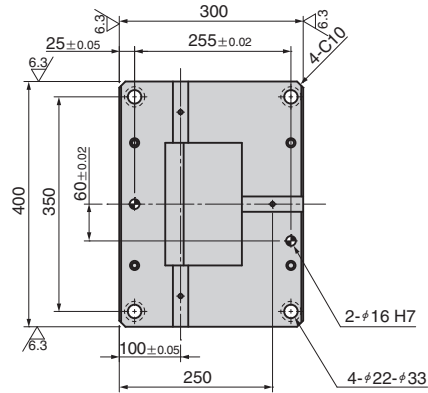
- 1) Remove hexagon socket head bolt(⑤).
- 2) Pull out the spring stopper(⑥).
- 3) Pull out the gas spring(⑦).



Die Mounted Cam Unit svsc400

FOR PIERCE

SVSC400 (00°~20°)



θ	A	B	E	F	G	H
00	395	445	50	219.9	341	355.2
05	394.2	469.2	75	208.1	325.67	359.9
10	392.94	487.94	95	190.9	314.68	368.6
15	391.09	501.09	110	174.6	302.08	375.4
20	393.52	518.52	125	164.2	282.93	375

kN(tonf)	Cam Slider Weight kg	Total Weight kg	Catalog No.	(W)	θ	Travel S	Spring Type PS
431.5 (44.0)	151	345	SVSC	400	00	80	GK GS NGP* GD
		341			05		
		348			10		
		355			15		
		366			20		



Order **Catalog No.** (W) - θ - S - PS
SVSC 400 - 10 - 80 - GK

* Without gas spring but accessories for installation are included.

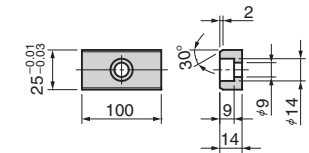
Spring Specification(Qty 2)

Spring Type PS	Spring Force kN			Gas Spring Catalog No.
	FA	FE	FAP	
GK	14.80	22.00	20.56	K750-100 (KALLER)
GS	15.00	24.50	22.60	SM.750.100 (SANKYO)
GD	14.80	22.00	20.56	90.3.00750.100 (DADCO)

* Power gas spring available. Please contact us for details.

Key Specification(Option)

(Qty 6 with M8×15 bolt)



Option Code	Specification
K	Dedicated key is attached. (It is not assembled to the main unit)
NF	Nitrogen gas is not charged. Applicable to GK,GS and GD only.



Order **SVSC400 - 10 - 80 - GK - NF**



Die Mounted Cam Unit svsc400

FOR PIERCE

Cam Diagram

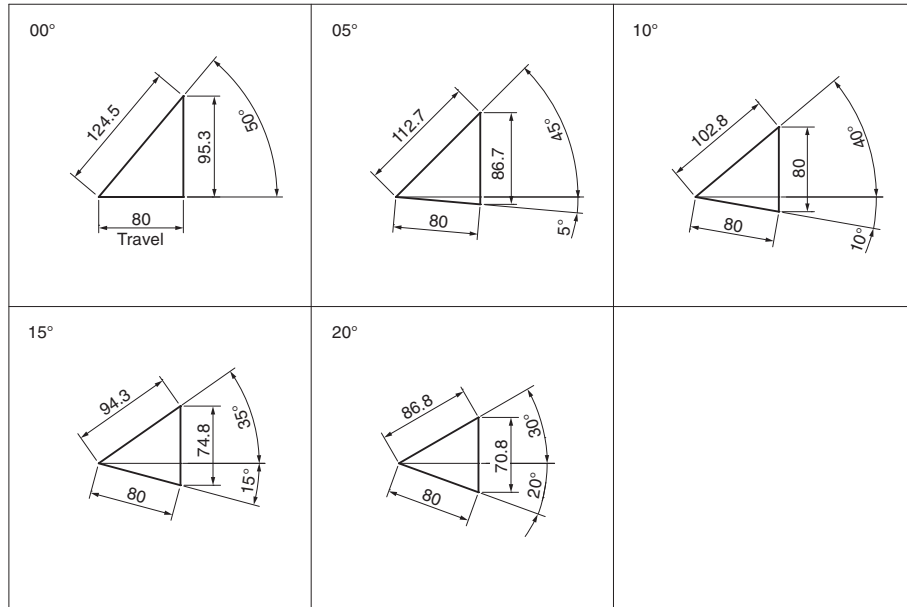
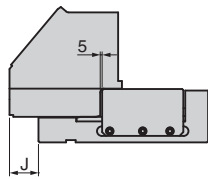


Table of Components

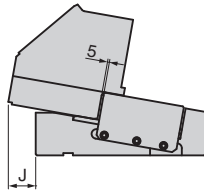
No.	Description	Qty	Material and Remark	No.	Description	Qty	Material and Remark
①	Cam Driver	1	GGG60(FCD600)	18	Cam Holder	1	GGG60(FCD600)
②	Cam Positive Return	2	S45C HRC28~	19	Spring Block	2	S45C HRC55~
③	Hexagon Socket Head Bolt	2	SCM435(M10×35)	20	Hexagon Socket Head Bolt	2	SCM435(M8×35)
④	Slide Plate	4	Bronze With Graphite(VSM-33-SP2)	21	Cam Slide Guide(Lower)	1	S45C HRC55~
⑤	Hexagon Socket Head Bolt	48	SCM435(M8×20)	22	Hexagon Socket Head Bolt	3	SCM435(M12×35)
⑥	Slide Plate	4	Bronze With Graphite(VSM-32-SP2)	23	Dowel Pin with Female Thread	2	SUJ2(φ12-40)
⑦	Slide Plate	2	Bronze With Graphite(VSM-28-SP2)	24	Slide Plate	2	SCM440(VSM-64-ST01)
⑧	Slide Plate	2	Bronze With Graphite(VSM-27-SP2)	25	Slide Plate	2	SCM440(VSM-63-ST01)
⑨	Cam Slider	1	GGG60(FCD600)	26	Keeper Plate	1	S45C HRC28~ (L)
⑩	Slide Plate	2	SCM440(VSM-65-ST01)	27	Hexagon Socket Head Bolt	6	SCM435(M12×60)
⑪	Slide Plate	2	SCM440(VSM-60-ST01)	28	Keeper Plate	1	S45C HRC28~ (R)
⑫	Spring Stopper	1	S45C (LH)	29	Cam Slider Stopper	1	S45C
⑬	Hexagon Socket Head Bolt	2	SCM435(M8×30)	30	Stopper	4	Urethane
⑭	Screw Plug with Nose	2	SCM435(M6×12)	31	Hexagon Socket Head Bolt	4	SCM435(M12×55)
⑮	Spring Stopper	1	S45C (RH)	32	Lock Spacer	2	SS400
⑯	Slide Plate	2	Bronze With Graphite(VSM-23-SP2)	33	Hexagon Socket Head Bolt	2	SCM435 M10×150
⑰	Slide Plate	2	Bronze With Graphite(VSM-22-SP2)				

Required space for removing

Working Angle 00°



Working Angle 05°~20°



Working Angle	J
00°	76.0
05°	73.3
10°	71.9
15°	71.8
20°	63.1

