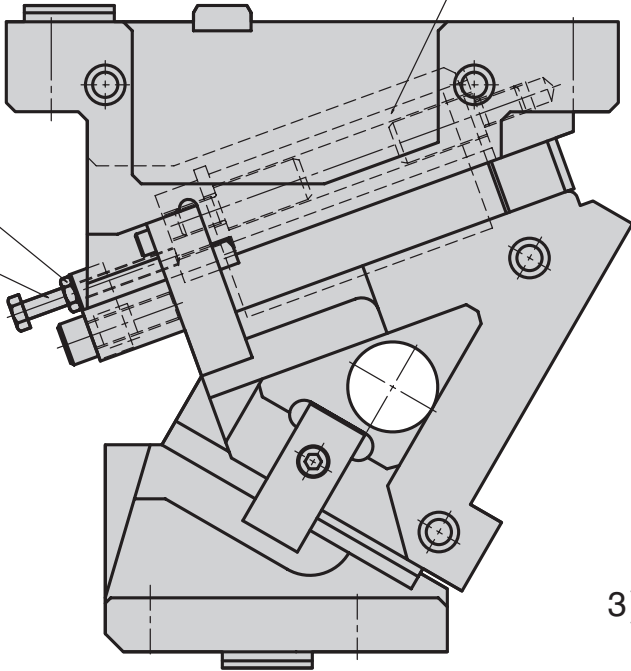
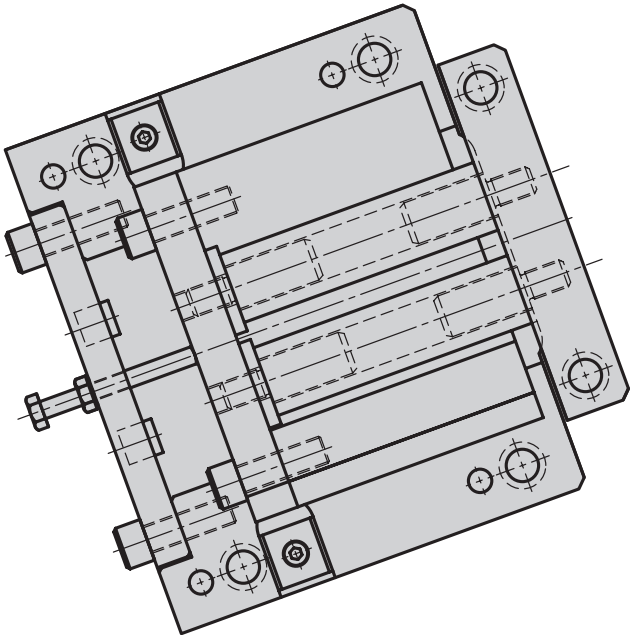


For request of customers - Addition of standard parts

■ Lock out system for SUWB

Lock out status may be achieved with bolts, nuts and spacers (same as the coil spring length at the bottom dead center). Cutting edges can be easily adjusted.



- In using the option products
 - 1) The product is delivered with lock out condition.
 - 2) Coil spring and stopper plate are delivered together as accessory part.
 - 3) The total clearance of the cam slider in the width direction is 0.06 to 0.10.
 - 4) After adjustment of cutting edges, remove all parts for lock out, install the coil spring and stopper plate.

• How to Order



Option

Option Code	Specification
S	Assembled under bottom dead condition



Order

SUWB400-20-S