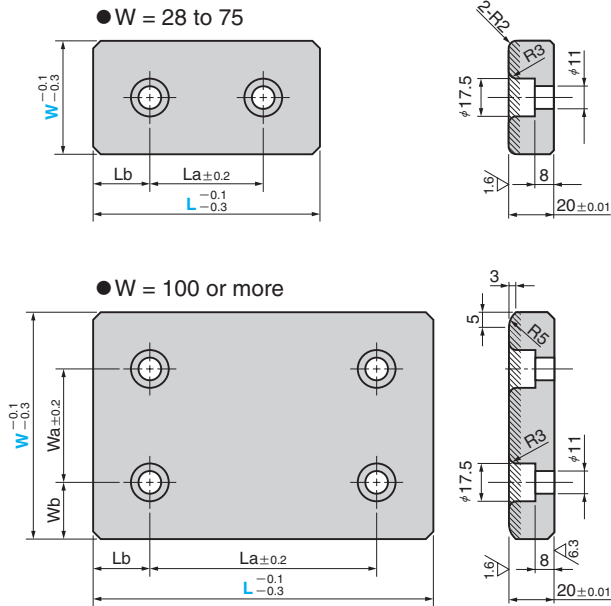
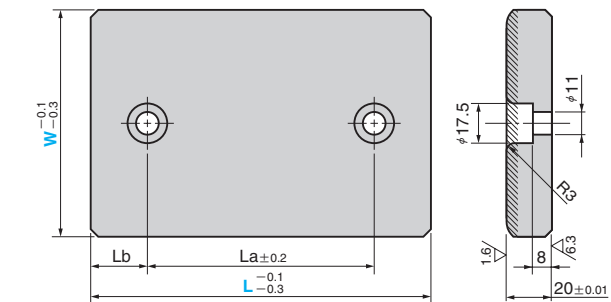


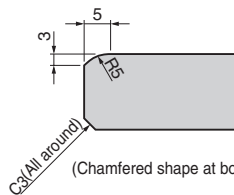
SOX



SOXT (Two Hole Type)



● Sliding Direction



Material : Copper powder sintered (#220)
 Hatched Area Sintered
 Thickness 1.2 mm or more
 SS400(base plate)
 (A) A36-89b, A283-88

Wa	Wb	La	Lb	Catalog No.	W	L	
						SOX	SOXT
		45	15			75	
		50	25		28	100	
		100				150	
		45	15			75	
		50	25		38	100	
		100				150	
		45	15			75	
		50	25			100	
		75	25		48	125	—
		100	50			150	
		25				75	
		50				100	
		75		SOX SOXT	75	125	
		100				150	
		150				200	
		50	25			100	100
		75				125	125
50	25	100			100	150	150
		150				200	200
		200				250	250
		100	50			300	—
		100				150	150
50	37.5	150	25		125	200	200
		200	50			250	250
		100				300	—
		100				150	150
100	25	150	25		150	200	200
		200				250	250

*Wa, Wb are SOX 100 or more.

Order	Catalog No.	W	—	L
	SOX	75	—	125
	SOXT	100	—	150

■ We are ready to accept requests or orders for special parts.