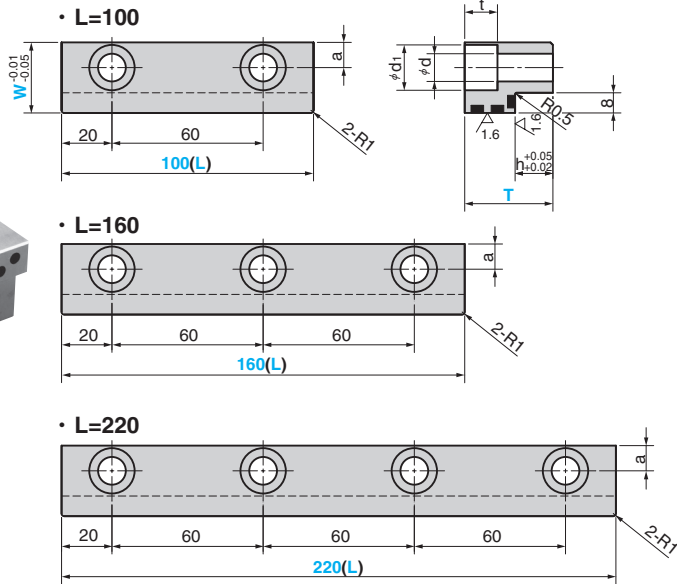


SGLDW



Material : Bronze with Graphite
(SO#50 SP2)

a	d	d ₁	h	t	Catalog No.	W	L	T
7.5	7	11	15	7		23	100	30
							160	
							220	
7.5	7	11	26	7			100	41
							160	
							220	
10	11	18	10	13	SGLDW		100	25
							160	
							220	
10	11	18	15	13		28	100	35
							160	
							220	
10	11	18	26	13			100	56
							160	
							220	

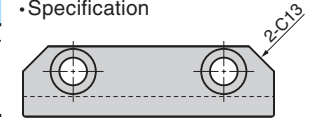
Order Catalog No. W - L - T
SGLDW 23 - 160 - 41



Option

Option Code	Specification
CM	With chamfering (C13) on corners for relief (2 corners). Please instruct CM13 when ordering.

• Specification



Order **SGLDW 23-160-41-CM13**

■ We are ready to accept requests or orders for special parts.