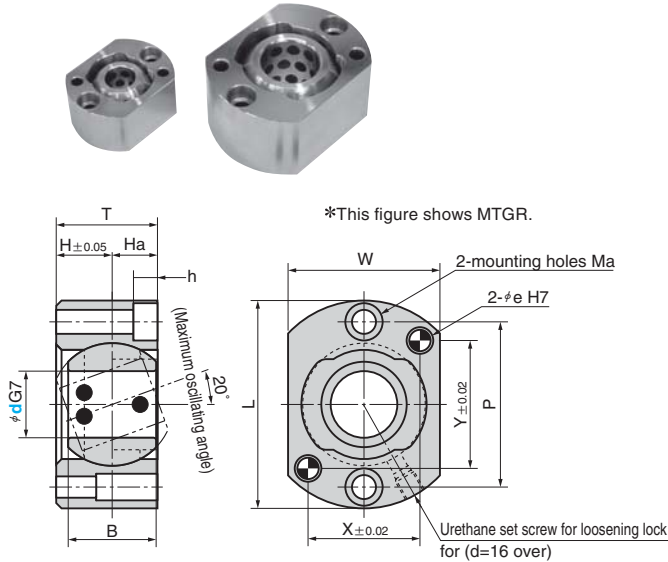


# Spherical Guide Bushing Set

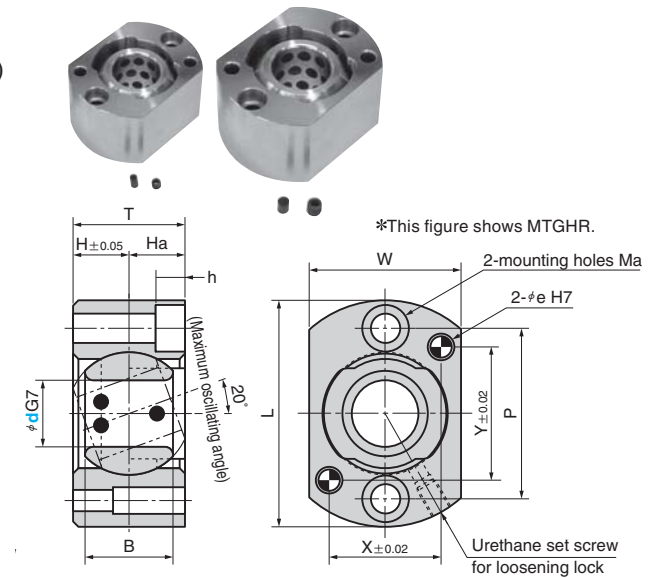
FOR INCLINED PIN

RoHS

Standard Type  
**MTGL** (Left handed)  
**MTGR** (Right handed)



Strong Type  
**MTGHL** (Left handed)  
**MTGHR** (Right handed)



\*The operation temperature is from 0°C to 170°C.

Inner wheel : Copper Alloy Oilless Type  
 Outer wheel: S45C-H (C45 A 1045)

\*The operation temperature is from 0°C to 170°C.

Inner wheel: Copper Alloy Oilless Type  
 Outer wheel: S45C-H (C45 A 1045)

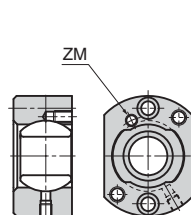
L	W	T	H	Ha	B	Mounting Holes			Dowel Pin Hole			Catalog No.	d
						Ma	P	h	e	X	Y		
44	28	17	9	8	14	M5	32	6	5	20	28	MTGL MTGR	8
46	30	20	11	9	16		34			22	28		10
50	32	22	12	10	18	M6	36	7	6	22	30		12
58	45	29	16	13	25		45			30	35		16
65	50	33	18	15	28	M8	52	9	8	35	40	20	
78	57	38	21	17	33		62			40	50	25	
86	65	43	24	19	37		70			48	55	30	

L	W	T	H	Ha	B	Mounting Holes			Dowel Pin Hole			Catalog No.	d
						Ma	P	h	e	X	Y		
85	57	42	21	33	M10	64	11	8	42	50	MTGHL MTGHR	25	
94	65	48	24	37		72	13		48	55		30	
98	72	54	27	40		78	12		52	60	35		
106	77	58	29	44		84	12		55	65	40		
124	88	66	33	48	M12	102	18	10	65	78		50	

■ Accessory

d	Hexagonal Socket Head Bolt	Dowel Pin
8	M5×20	
10	M5×25	φ5×20
12	M6×25	
16	M6×35	φ6×25
20	M6×40	
25	M8×45	φ8×30
30	M8×50	

⚠ Urethane Stopper is attached for d=16 over



Option

Option Code	Specification
ZM	Position of Urethane Stopper is on the front face as per left sketch. (For d ≥ 16)



Order **MTGR 25-ZM**

■ Accessory

d	Hexagonal Socket Head Bolt	Dowel Pin
25	M10×45	
30	M10×55	
35	M10×60	φ8×30
40	M10×65	
50	M12×65	φ10×40

⚠ Left handed type is added, Catalog No. is also changed.

Old Catalog No.	New Catalog No.
MTG	MTGL (Only Left handed)
(Only Left handed)	MTGR (Only Right handed)
MTGH	MTGHL (Only Left handed)
(Only Right handed)	MTGHR (Only Right handed)



Order

Catalog No. **MTGHL** d **30**



Order

Catalog No. **MTGR** d **16**