

Inclined Pin Holder Fixing Type(For KOCUF)

FOR INCLINED PIN

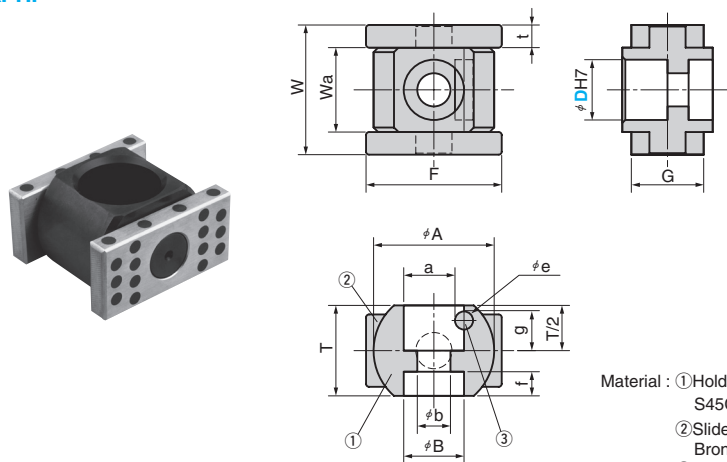
RoHS

Inclined Pin Holder Fixing Type(For RCSUF)

FOR INCLINED PIN

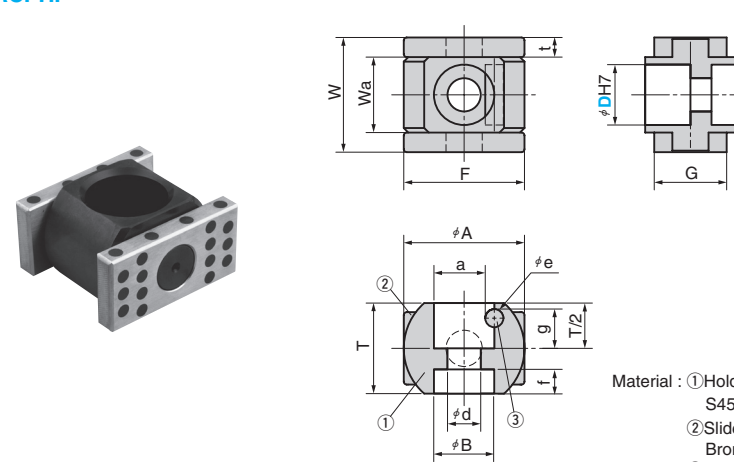
RoHS

KPHF



Material : ①Holder
S45C (T C45 A 1045)
②Slide Plate
Bronze with Graphite
③Loosening Lock
SK5M

RCPHF



Material : ①Holder
S45C (T C45 A 1045)
②Slide Plate
Bronze with Graphite
③Loosening Lock
SK5M

D	W	Wa	F	t	G	A	a	T	g	f	B	b	e
8	24	12	25	6	13	20	7.5	16	6.5	5	10	5	3
10	28	14	32	7	17	20	8.5	16	6.5	4	12	6	3
12	31	17	40	7	20	25	10	20	8.5	5	13	7	4
16	36	21	45	7.5	24	30	13	24	10	6	16	9	6
20	43	28	45	7.5	24	40	17	30	13	8	20	11	6
25	48	33	50	7.5	26	45	22	35	14	9.5	25	14	6
30	55	38	60	8.5	30	50	27	38	15	9	25	14	6
35	64	44	70	10	34	55	31	40	15	10	25	14	8
40	72	50	80	11	38	60	36	43	16	11.5	32	18	8

D	W	Wa	F	t	G	A	a	T	g	e	d	B	f
10	26	14	28	6	17	20	8.5	16	6.5	3	6	10	3
12	29	17	36	6	20	25	10	20	8	4	7	12	5
16	33	20	40	6.5	20	30	13	24	10	6	9	16	6
20	38	25	40	6.5	24	40	17	30	13	6	11	20	7
25	45	30	45	7.5	26	45	22	35	14	6	14	25	9.5
30	51	36	55	7.5	30	50	27	38	15	6	14	25	9
35	58	42	70	8	34	55	31	40	15	8	14	25	10
40	66	48	70	9	38	60	36	43	16	8	18	32	11.5

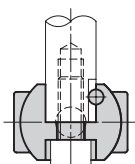
Catalog No.	D
	8
	10
	12
	16
KPHF	20
	25
	30
	35
	40



Order

Catalog No.	D
KPHF	20

KPHF
RCPHF



■ Inclined Pin Mounting Bolt

D	KPHF	RCPHF
8	M 4×10	—
10	M 5×12	M 5×12
12	M 6×14	M 6×14
16	M 8×20	M 8×20
20	M10×25	M10×25
25	M12×30	M12×30
30	M12×30	M12×30
35	M12×30	M12×30
40	M16×35	M16×35

▲ Standard parts of KPHF φ 8 to φ 12 and φ 35 or larger will be abolished at the end of March 2008. Please use RCPHF.



Order

Catalog No.	D
RCPHF	30

Catalog No.	D
	10
	12
	16
RCPHF	20
	25
	30
	35
	40