

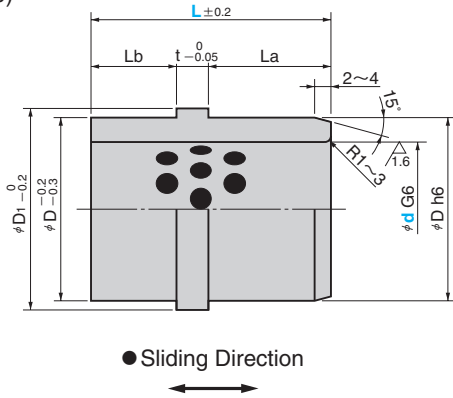
# Ejector Guide Bushing

BRONZE WITH GRAPHITE TYPE

RoHS

SEGB (Flange thickness 4 mm Type)

SEGBK (Flange thickness 8 mm Type)



Material : Bronze with Graphite(SO#50 SP2)

\*Operation ambient temperature: 0 to 170°C

d G6	D h6	D1	La	Lb	t	Catalog No.	d	L
16	+0.017 +0.006	25	30				12	26
							14	28
							19	33
							24	38
20	0 -0.013	30	35	10			12	26
							14	28
							19	33
							24	38
25	+0.020 +0.007	35	40		4	SEGB	12	26
							14	28
							19	33
							24	38
30	0 -0.016	40	45				14	33
							19	38
							24	43
							19	38
35		46	50	15			24	43
							29	48
							24	43
							29	48
40	+0.025 +0.009	52	57		20		24	43
							29	53
							24	48
							29	53
50	0 -0.019	62	67				24	48
							29	53

d G6	D h6	D1	La	Lb	t	Catalog No.	d	L
25	35	40	19	6			25	33
							24	38
30	+0.020 +0.007	40	45	29	11		25	48
							24	47
35	0 -0.016	45	50	39	16		30	52
							29	57
40	50	55	42	20			35	63
							32	60
45	+0.025 +0.009	55	60	24	25	8	40	78
							29	67
							59	88
							69	98
50	0 -0.019	62	67	29	30		45	98
							39	67
60	+0.029 +0.010	74	82	29	30		50	87
							39	67



Order

Catalog No.	d	L
SEGB	30	43
SEGBK	25	38