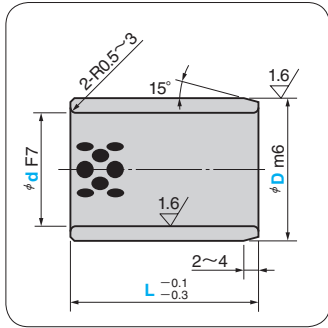


Guide Bushing

UNIVERSAL STRAIGHT TYPE

RoHS



Order

Catalog No. **SOB** **d** 120 - **D** 140 - **L** 100

d F7	D m6	Catalog No.	d	D	L
90	110	SOB	90	110	120
					50
					60
					70
					80
100	120				100
					120
					140
					50
					70
110	130				110
					130
					100
					120
					70
		80			
120	140	120			
		140			
		120			
		140			
125	145	125			
		145			
		120			
		80			
130	150	130			
		150			
		100			
		130			
140	160	140			
		160			
		140			
		80			
150	170	150			
		170			
		100			
		150			
		80			
160	180	160			
		180			
		100			
		150			

Guide Bushing

UNIVERSAL FLANGE TYPE

RoHS

SOBF

● Sliding Direction

- Mating post tolerance
 - General use (high load) d8
 - General use (light load) e7
 - High precision f7
- Recommended hole machining tolerance H7

Material : Bronze with Graphite (SO#50 SP2)

*Operation ambient temperature: 0 to 170°C

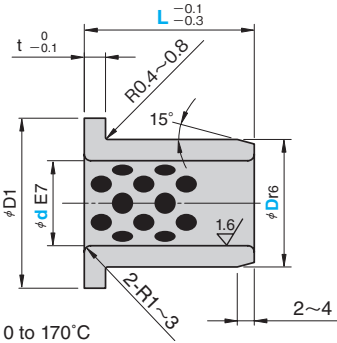


Order

Catalog No. **SOBF** **d** 35 - **D** 45 - **L** 25

d E7	D r6	D1	t	L	Catalog No.	d	D	L		
8	12		20	10	SOBF	8	12	10		
				15				15		
12	12									
10	14		22	2				15	14	15
				17				17		
20	20									
12	18		25	15				15	18	15
				20				20		
25	25									
13	19		26	15				13	19	15
				20				20		
15	15									
14	20		27	15				14	20	15
				20				20		
25	25									
15	21		28	3	15	21	15			
				20	20					
25	25									
30	30									
15	15									
16	22		29	18	16	22	18			
				20	20					
23	23									
25	25									
30	30									
35	35									
40	40									
18	24		32	20	18	24	20			
				30	30					
15	15									
20	30		40	5	20	30	20			
				25	25					
30	30									
35	35									
40	40									

SOBF



●Sliding Direction



- Mating post tolerance
 General use (high load) d8
 General use (light load) e7
 High precision f7
- Recommended hole machining tolerance H7

Material : Bronze with Graphite (SO#50 SP2)

*Operation ambient temperature: 0 to 170°C



Order

Catalog No.	d	-	D	-	L
SOBF	35	-	45	-	25

d E7	D r6	D1	t	L	Catalog No.	d	D	L
25	35	45	5	15	SOBF	25	35	15
				20				20
				25				25
				30				30
				35				35
				40				40
30	40	50	5	20	SOBF	30	40	20
				25				25
				30				30
				35				35
				40				40
				50				50
31.5	40	50	5	20	SOBF	31 (Note)	40	20
				35				35
				40				40
				20				20
				25				25
				30				30
35	45	60	5	30	SOBF	35	45	30
				35				35
				40				40
				50				50
				20				20
				25				25
40	50	65	5	20	SOBF	40	50	20
				25				25
				30				30
				35				35
				40				40
				50				50

(Note) Actual size is 31.5.

d E7	D r6	D1	t	L	Catalog No.	d	D	L
45	55	70	5	30	SOBF	45	55	30
				35				35
				40				40
				50				50
				60				60
				30				30
50	60	75	5	35	SOBF	50	60	35
				40				40
				50				50
				60				60
				40				40
				60				60
55	65	80	5	40	SOBF	55	65	40
				60				60
				40				40
				60				60
				40				40
				60				60
60	75	90	5	50	SOBF	60	75	50
				80				80
				60				60
				80				80
				60				60
				80				80
63	75	90	7.5	67.5	SOBF	63	75	67.5
				50				50
				80				80
				60				60
				80				80
				60				60
70	85	105	7.5	50	SOBF	70	85	50
				80				80
				60				60
				80				80
				60				60
				80				80
75	90	110	7.5	60	SOBF	75	90	60
				60				60
				80				80
				60				60
				80				80
				60				60
80	100	120	7.5	100	SOBF	80	100	100
				60				60
				80				80
				60				60
				80				80
				60				60
90	110	130	7.5	60	SOBF	90	110	60
				80				80
				60				60
				80				80
				60				60
				80				80
100	120	150	7.5	80	SOBF	100	120	80
				100				100
				60				60
				80				80
				60				60
				80				80
120	140	170	7.5	80	SOBF	120	140	80
				100				100
				60				60
				80				80
				60				60
				80				80