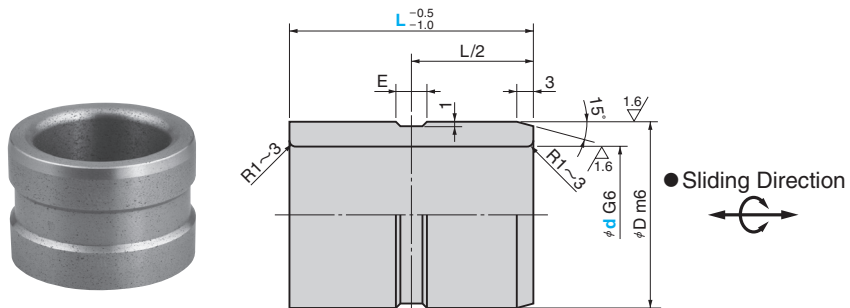


HGB



\*Operation ambient temperature: 0 to 400°C

Material : Copper powder sintering(SO#200H)

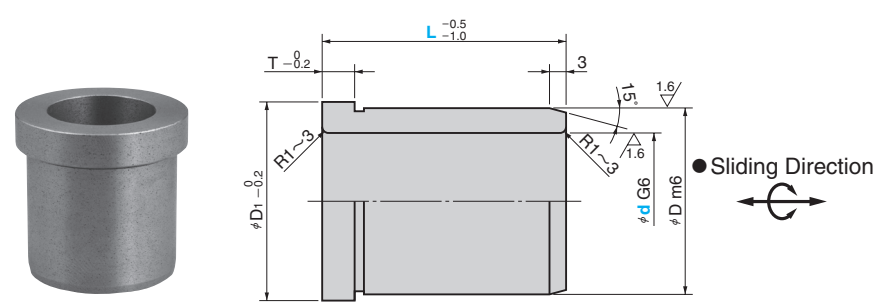
d G6	D m6	E	Catalog No.	d	L
20	30	+0.021 +0.008	HGB	20	25
					30
					35
					40
25	35	+0.020 +0.007	HGB	25	25
					30
					35
					40
30	42	+0.025 +0.009	HGB	30	30
					35
					40
					40
35	48	+0.025 +0.009	HGB	35	35
					40
40	55	+0.030 +0.011	HGB	40	40



Order

Catalog No.	d	-	L
HGB	25	-	40

HGBF



\*Operation ambient temperature: 0 to 400°C

Material : Copper powder sintering(SO#200H)

d G6	D m6	D1	T	Catalog No.	d	L
20	30	+0.021 +0.008	8	HGBF	20	25
						30
						35
						40
25	35	+0.020 +0.007	8	HGBF	25	25
						30
						35
						40
30	42	+0.025 +0.009	8	HGBF	30	30
						35
						40
						40
35	48	+0.025 +0.009	10	HGBF	35	35
						40
40	55	+0.030 +0.011	10	HGBF	40	40



Order

Catalog No.	d	-	L
HGBF	30	-	40