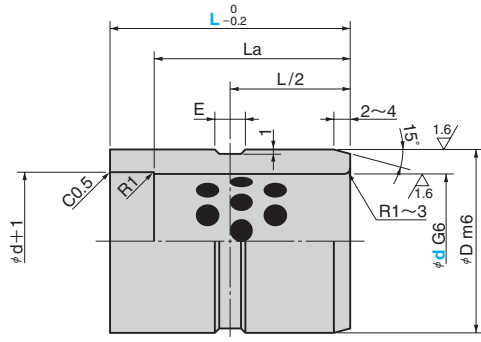


RGB



● Sliding Direction



Material : Bronze with Graphite(SO#50 SP2)

\*Operation ambient temperature: 0 to 170°C

d G6	D m6	La	E	Catalog No.	d	L
12	18	+0.018 +0.007	4	RGB	12	9
						14
						19
						24
16	25	+0.017 +0.006	6	RGB	16	14
						19
						24
						29
20	30	+0.021 +0.008	6	RGB	20	34
						39
						49
						59
25	35	+0.025 +0.009	8	RGB	25	34
						39
						49
						59

d G6	D m6	La	E	Catalog No.	d	L
30	42	+0.020 +0.007	8	RGB	30	29
						34
						39
						49
35	48	+0.025 +0.009	8	RGB	35	59
						60
						29
						34
40	55	+0.025 +0.009	8	RGB	40	39
						49
						59
						69
50	70	+0.030 +0.011	10	RGB	50	79
						89
						99
						109
60	80	+0.029 +0.010	10	RGB	60	59
						69
						79
						89
80	100	+0.035 +0.013	10	RGB	80	99
						109
						119
						129



Order

Catalog No.

d

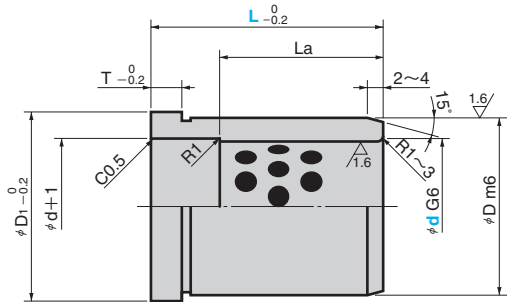
L

RGB

25

39

RGBF



● Sliding Direction



Material : Bronze with Graphite(SO#50 SP2)

\*Operation ambient temperature: 0 to 170°C

d G6	D m6	D1	T	La	Catalog No.	d	L
12	18	+0.018 +0.007	25	4	RGBF	12	19
							24
							29
							34
16	25	+0.017 +0.006	30	6	RGBF	16	19
							24
							29
							30
20	30	+0.021 +0.008	35	8	RGBF	20	24
							29
							34
							39
25	35	+0.025 +0.009	40	8	RGBF	25	24
							29
							34
							39
30	42	+0.020 +0.007	47	10	RGBF	30	29
							34
							39
							49
35	48	+0.025 +0.009	54	10	RGBF	35	59
							60
							69
							70
40	55	+0.025 +0.009	61	12	RGBF	40	69
							79
							80
							89
50	70	+0.030 +0.011	76	12	RGBF	50	49
							59
							69
							79
60	80	+0.029 +0.010	86	15	RGBF	60	89
							99
							109
							110

d G6	D m6	D1	T	La	Catalog No.	d	L
30	42	47	10	10	RGBF	30	29
							34
							39
							49
35	48	54	10	10	RGBF	35	59
							60
							69
							70
40	55	61	12	12	RGBF	40	69
							79
							80
							89
50	70	76	12	12	RGBF	50	49
							59
							69
							79
60	80	86	15	15	RGBF	60	89
							99
							109
							110



Order

Catalog No. d - L

RGBF 35 - 49