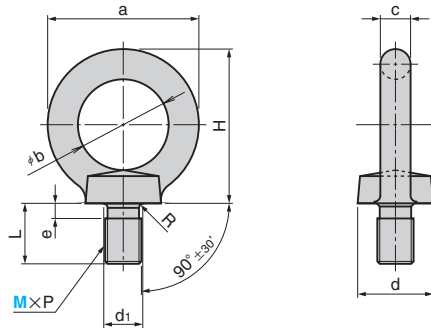


Eye Bolt

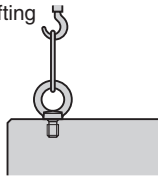
LIFTING TYPE

RoHS

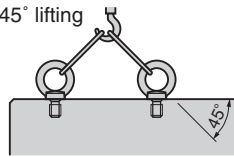
LEB



• Vertical lifting



• 45° lifting

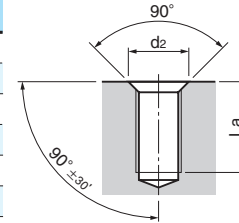


Material : SS400
 (A) A36-89b,
 A283-88)
 Bolt accuracy: JIS 1168

Attaching Method

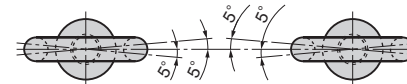
Chamfer tapped holes and attach the eye bolt closely to the seating.

| M | d ₂ | La |
|-----|----------------|-----|
| 10 | 13 | 20 |
| 12 | 16 | 24 |
| 16 | 20 | 30 |
| 20 | 24 | 34 |
| 24 | 28 | 42 |
| 30 | 36 | 50 |
| 36 | 42 | 60 |
| 42 | 48 | 70 |
| 48 | 56 | 76 |
| 64 | 75 | 98 |
| 80 | 91 | 115 |
| 100 | 112 | 140 |

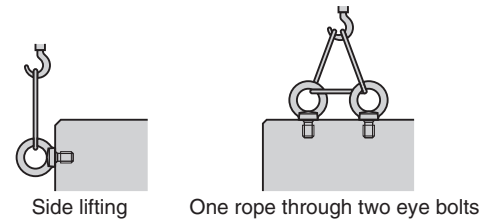


| M x P | a | b | c | d | H | L | e | R | d ₁ | Allowable Load N (Kgf) | | Catalog No. | M |
|---------|-----|-----|------|-----|-------|-----|----|-----|----------------|------------------------|----------------------|-------------|-----|
| | | | | | | | | | | Vertical lifting/bolt | 45° lifting /2 bolts | | |
| 10x1.5 | 41 | 25 | 8 | 20 | 41.5 | 18 | 4 | 1.2 | 11.2 | 1471 (150) | 1471 (150) | | 10 |
| 12x1.75 | 50 | 30 | 10 | 25 | 51 | 22 | 5 | 1.4 | 14.2 | 2157 (220) | 2157 (220) | | 12 |
| 16x2.0 | 60 | 35 | 12.5 | 30 | 60 | 27 | 5 | 1.6 | 18.2 | 4413 (450) | 4413 (450) | | 16 |
| 20x2.5 | 72 | 40 | 16 | 35 | 71 | 30 | 6 | 2 | 22.4 | 6178 (630) | 6178 (630) | | 20 |
| 24x3.0 | 90 | 50 | 20 | 45 | 90 | 38 | 8 | 2.5 | 26.4 | 9316 (950) | 9316 (950) | | 24 |
| 30x3.5 | 110 | 60 | 25 | 60 | 110 | 45 | 8 | 3 | 33.4 | 14710 (1500) | 14710 (1500) | LEB | 30 |
| 36x4.0 | 133 | 70 | 31.5 | 70 | 131.5 | 55 | 10 | 3 | 39.4 | 22555 (2300) | 22555 (2300) | | 36 |
| 42x4.5 | 151 | 80 | 35.5 | 80 | 150.5 | 65 | 12 | 3.5 | 45.6 | 33300 (3396) | 33300 (3396) | | 42 |
| 48x5.0 | 170 | 90 | 40 | 90 | 170 | 70 | 12 | 4 | 52.6 | 44100 (4497) | 44100 (4497) | | 48 |
| 64x6.0 | 210 | 110 | 50 | 110 | 210 | 90 | 14 | 5 | 71 | 88300 (9004) | 88300 (9004) | | 64 |
| 80x6.0 | 266 | 140 | 63 | 130 | 263 | 105 | 14 | 5 | 87 | 147000(14990) | 147000(14990) | | 80 |
| 100x6.0 | 340 | 180 | 80 | 170 | 335 | 130 | 14 | 5 | 108 | 196000(19986) | 196000(19986) | | 100 |

⚠ • When two eye bolts are used for lifting, keep the eye bolts in the same direction.



• Do not use eye bolts as shown below.



Order Catalog No. M
 LEB 16