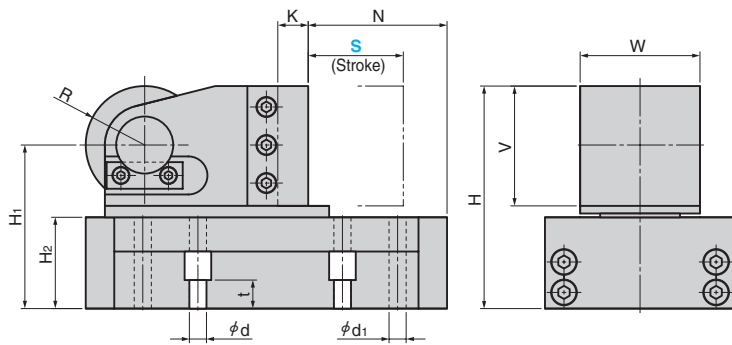
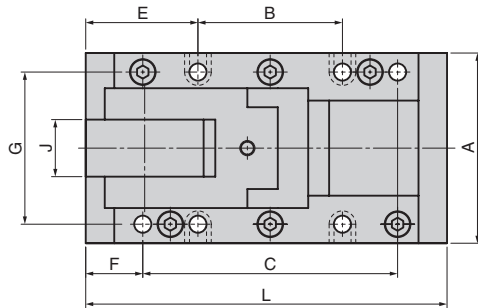
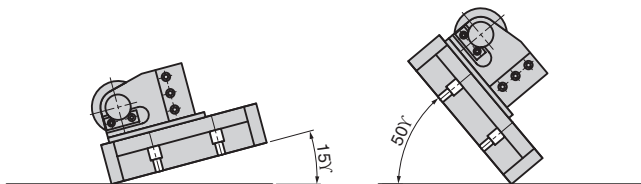


OCX



■ Maximum inclination angle



Catalog No.	Type	Stroke S	W	V	H	H ₁	H ₂	K	N	R	d	d ₁	t
	02	22	50	50	85	63	32	15	34	23	6.6	5.75	10
		35											
	03	50	63	63	117	86	48	16	73	31	9	7.75	15
		100											
OCX	05	50	90	74	140	103	60	16	73	36	9	7.75	18
		80											
	15	50	135	90	165	120	67	25	43	45	11	9.75	14
		80											
	20	50	200	110	190	135	72	25	43	55	13	11.75	17
		80											
		100							73				

A	L	B	C	E	F	G	J	Working Force (kN)	Spring Force (N)	Catalog No.	Type	Stroke S
75	115	50	30	32.5	43	63	22	20	1000		02	22
	136	71	51									35
	190	76	134									50
100	220	106	164	59	30	80	30	30	1500		03	80
	260	146	204									100
130	190	76	134	59	30	110	30	50	1500	OCX	05	50
	220	106	164									80
	260	146	204									100
170	190	67	131	64	32	148	65	150	2500		15	50
	220	97	161									80
	260	137	201									100
240	215	80	152	70	34	218	65	200	5000		20	50
	245	110	182									80
	265	130	202									100



Order

Catalog No. - Type - S - Driver Type Note)

OCX - 03 - 50

OCX - 03 - 50 - A (or B)

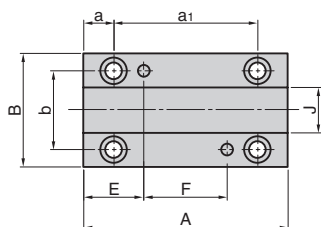
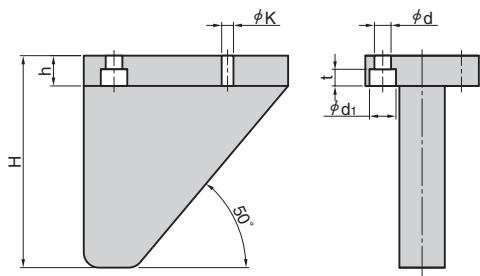
Note) The driver is available as type A or type B. (Please refer to the following page)
Please specify when ordering. If not indicated, the roller cam will be delivered without driver.

Driver for Roller Cam Unit

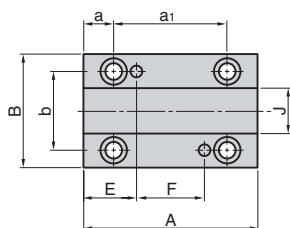
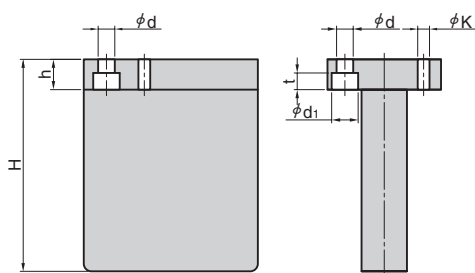
EUROPEAN STANDARD

DR

Type A (Inclination angle $-20^{\circ} \sim +15^{\circ}$)



Type B (Inclination angle $-50^{\circ} \sim +20^{\circ}$)



Material : 1.1730
(S45C)
Contact surface heat treatment

Driver	Compatible Cam Unit	A	a	a1	B	b	E	F	J	H	h	K	d	d1	t
DR-02-A	OCX-02	70	10	50	50	35	20	30	22	70	10	5.8	6.6	11	7
DR-02-B		60		20											
DR-03-A	OCX-03	135	20	95	75	52	40	55	30	140	20	7.75	11	17.5	11
DR-03-B		115		35				45							
DR-05-A	OCX-05	135	20	95	75	52	40	55	30	140	20	7.75	11	17.5	11
DR-05-B		115		35				45							
DR-15-A	OCX-15	200	25	150	115	90	50	100	65	205	30	9.75	13	20	13
DR-15-B		130		80				30							
DR-20-A	OCX-20	200	25	150	115	90	50	100	65	205	30	9.75	13	20	13
DR-20-B		130		80				30							

Catalog No.	Type
02	A
	B
03	A
	B
05	A
	B
15	A
	B
20	A
	B



Order

Catalog No. - Type
DR-05 - B

European Standard